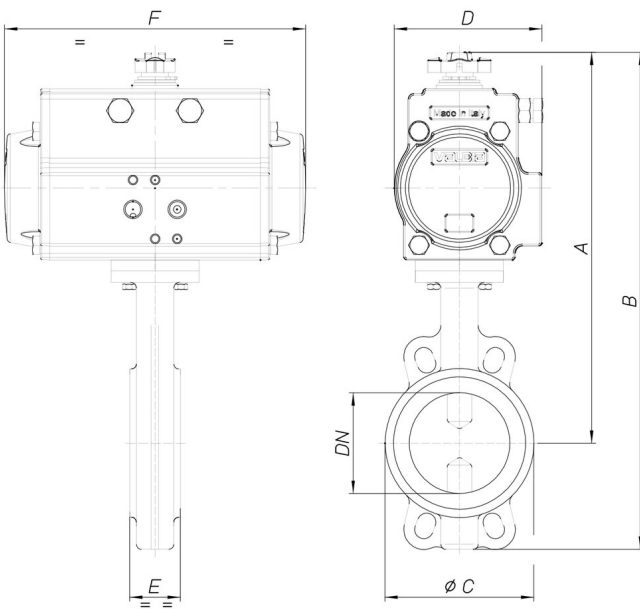


8P020600

Butterfly valve Wafer type PN16, G250 cast iron+epoxy painting, AISI 316 disc, VITON seat max operating temperature 150°C.



Technische Spezifikationen



| MOD | PN | A | B | Ø C | D | E | F | ACT. | RI |
|------------|-----------|----------|----------|------------|----------|----------|----------|-------------|-----------|
| 8P02060010 | 16 | 266 | 338 | 100 | 81 | 43 | 164 | SR 63 | 3843 |
| 8P02060012 | 16 | 279 | 357 | 120 | 81 | 46 | 164 | SR 63 | 3843 |
| 8P02060014 | 16 | 312 | 401 | 127 | 106 | 46 | 241 | SR 85 | 3844 |
| 8P02060018 | 16 | 328 | 430 | 161 | 106 | 52 | 241 | SR 85 | 3840 |
| 8P02060019 | 16 | 354 | 477 | 190 | 123 | 56 | 275 | SR 100 | 3846 |
| 8P02060020 | 16 | 398 | 536 | 215 | 137 | 56 | 333 | SR 115 | 4450 |
| 8P02060021 | 16 | 493 | 661 | 268 | 186 | 60 | 500 | SR 160 | 3848 |
| 8P02060077 | 16 | 524 | 731 | 325 | 186 | 68 | 500 | SR 160 | 3867 |
| 8P02060078 | 16 | 697 | 940 | 375 | 217 | 78 | 579 | SR 200 | 3309 |