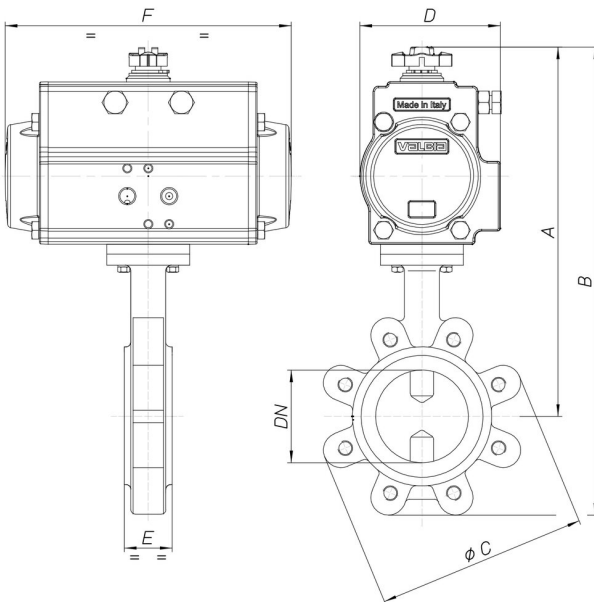


8P011000



Butterfly valve Lug type PN16, (from DN40 to DN300)
 PN10 (from DN350 to DN600) body in cast iron
 GGG40+ epoxy painting, disc AISI 316, EPDM [Valpres
 art. 600205] or NBR [Valpres art. 600230] seat from
 DN40 to DN300, EPDM seat art. 905262 from DN350 to
 DN600.

Technische Spezifikationen



| MOD | PN | A | B | Ø C | D | E | F | ACT. | RI |
|------------|-----------|----------|----------|------------|----------|----------|----------|-------------|-----------|
| 8P01100008 | 16 | 235 | 305 | 145 | 81 | 33 | 164 | SR 63 | 3843 |
| 8P01100010 | 16 | 266 | 338 | 165 | 81 | 43 | 164 | SR 63 | 3843 |
| 8P01100012 | 16 | 279 | 357 | 185 | 81 | 46 | 164 | SR 63 | 3843 |
| 8P01100014 | 16 | 312 | 401 | 200 | 106 | 46 | 241 | SR 85 | 3844 |
| 8P01100018 | 16 | 328 | 430 | 220 | 106 | 52 | 241 | SR 85 | 3840 |
| 8P01100019 | 16 | 354 | 477 | 250 | 123 | 56 | 275 | SR 100 | 3846 |
| 8P01100020 | 16 | 398 | 536 | 285 | 137 | 56 | 333 | SR 115 | 4450 |
| 8P01100021 | 16 | 793 | 661 | 340 | 186 | 60 | 500 | SR 160 | 3848 |
| 8P01100077 | 16 | 524 | 731 | 405 | 186 | 68 | 500 | SR 160 | 3867 |
| 8P01100078 | 16 | 697 | 940 | 460 | 213 | 78 | 579 | SR 200 | 3309 |