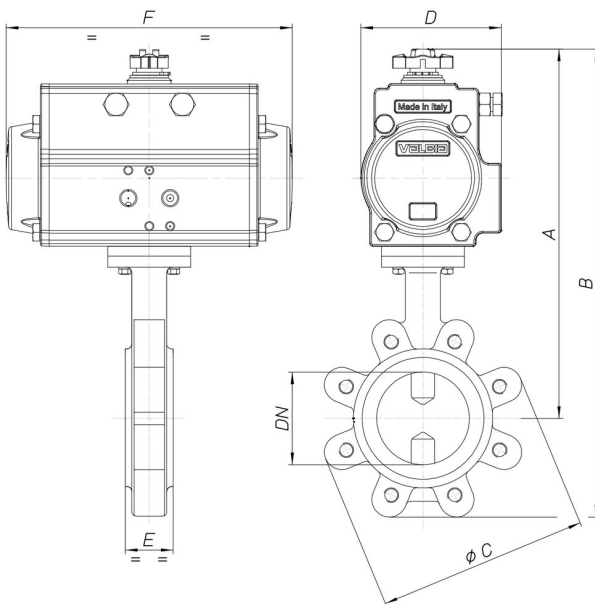


## 8P021000

Butterfly valve Lug type PN16, body in cast iron GGG40+epoxy painting, disc AISI 316, VITON seat, max operating temperature 150°C.



### Technische Spezifikationen



<b>MOD</b>	<b>PN</b>	<b>A</b>	<b>B</b>	<b>ØC</b>	<b>D</b>	<b>E</b>	<b>F</b>	<b>ACT.</b>	<b>RI</b>
8P02100010	16	266	338	165	81	43	164	SR 63	3843
8P02100012	16	279	357	185	81	46	164	SR 63	3843
8P02100014	16	312	401	200	106	46	241	SR 85	3844
8P02100018	16	328	430	220	106	52	241	SR 85	3840
8P02100019	16	354	477	250	123	56	275	SR 100	3846
8P02100020	16	398	536	285	137	56	333	SR 115	4450
8P02100021	16	493	661	340	186	60	500	SR 160	3848
8P02100077	16	524	731	405	186	68	500	SR 160	3867
8P02100078	16	697	940	460	217	78	579	SR 200	3309