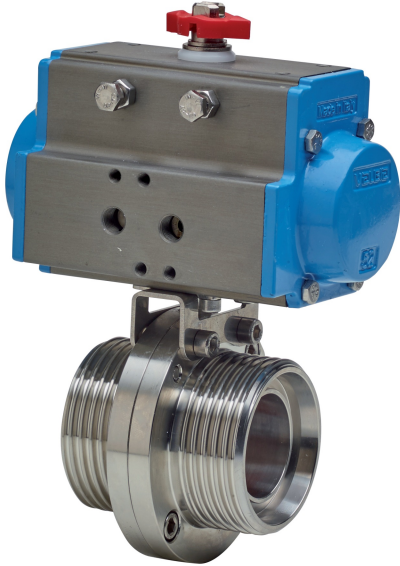
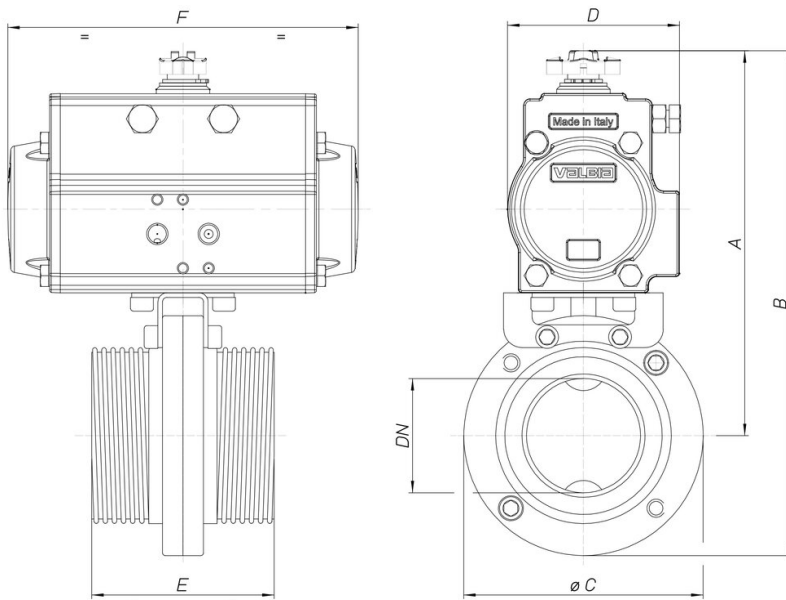


8P015800

Absperrklappe, geeignet für Lebensmittel, aus Edelstahl
AISI 304L , Anschlüsse DIN 11851 I/I, mit Antrieb.



Technische Spezifikationen



| MOD | PN | A | B | ØC | D | E | F | ACT. |
|------------|-----------|----------|----------|-----------|----------|----------|----------|-------------|
| 8P01580006 | 6 | 150 | 189 | 79 | 71 | 68 | 141 | SR 52 |
| 8P01580007 | 6 | 155 | 197 | 85 | 71 | 76 | 141 | SR 52 |
| 8P01580008 | 6 | 169 | 215 | 92 | 81 | 76 | 164 | SR 63 |
| 8P01580010 | 6 | 193 | 245 | 105 | 95 | 80 | 210 | SR 75 |
| 8P01580012 | 6 | 216 | 279 | 125 | 106 | 82 | 241 | SR 85 |
| 8P01580014 | 6 | 224 | 292 | 137 | 106 | 84 | 241 | SR 85 |
| 8P01580018 | 6 | 249 | 327 | 157 | 123 | 88 | 275 | SR 100 |