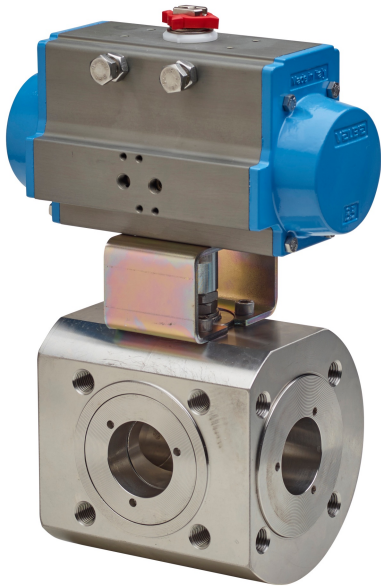
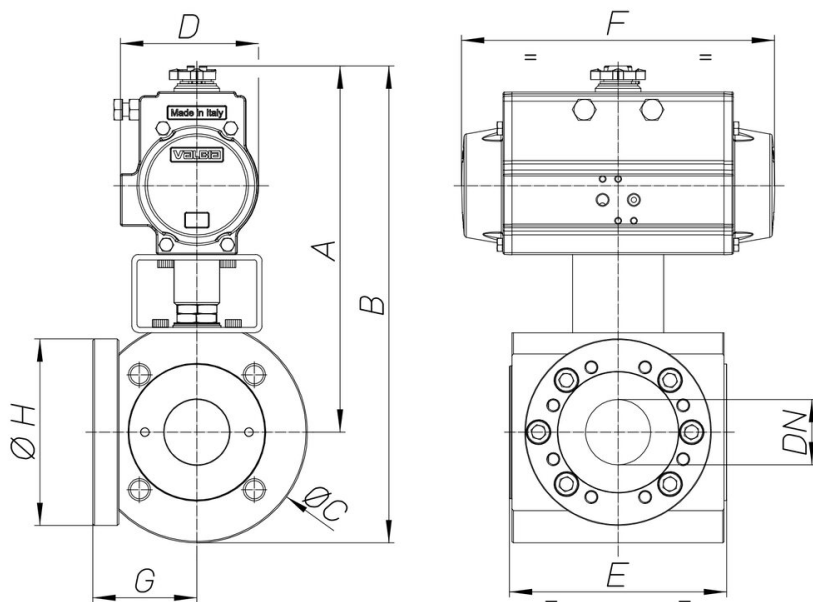


## 8P028400



3 way ball valve [Valpres art. 776400 (T) - 776401 (L)],  
 "T" or "L" port with 4 seats, PN16 flanged, stainless steel  
 AISI 316, full bore, Antistatic Device.

### Technische Spezifikationen



| <b>MOD</b> | <b>PN</b> | <b>A</b> | <b>B</b> | <b>ØC</b> | <b>D</b> | <b>E</b> | <b>F</b> | <b>G</b> | <b>ØH</b> | <b>ACT.</b> | <b>RI</b> |
|------------|-----------|----------|----------|-----------|----------|----------|----------|----------|-----------|-------------|-----------|
| 8P02840004 | 16        | 198      | 244      | 88        | 81       | 99       | 164      | 35       | /         | SR 63       | 4409      |
| 8P02840005 | 16        | 249      | 299      | 100       | 106      | 108      | 241      | 40       | /         | SR 85       | 4131      |
| 8P02840006 | 16        | 254      | 309      | 109       | 106      | 115      | 241      | 41,5     | /         | SR 85       | 4131      |
| 8P02840007 | 16        | 280      | 345      | 133       | 123      | 140      | 275      | 52,5     | /         | SR 100      | 4410      |
| 8P02840008 | 16        | 287      | 362      | 150       | 123      | 150      | 275      | 56,5     | /         | SR 100      | 4414      |
| 8P02840010 | 16        | 330      | 415      | 168       | 137      | 167      | 333      | 62       | /         | SR 115      | 3550      |
| 8P02840012 | 16        | 353      | 458      | 208       | 148      | 185      | 372      | 85       | /         | SR 125      | 4415      |
| 8P02840014 | 16        | 414      | 529      | 229       | 164      | 216      | 435      | 127      | 212       | SR 140      | 4406      |
| 8P02840018 | 16        | 437      | 576      | 278       | 164      | 244      | 435      | 150      | 239       | SR 140      | 4406      |