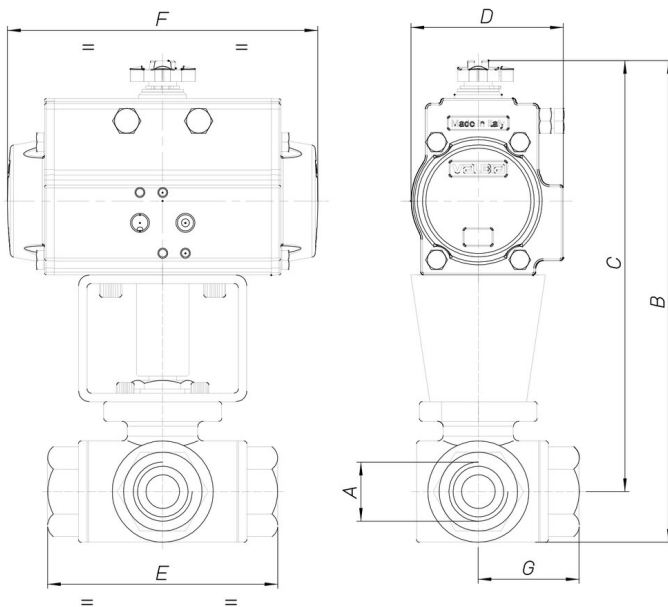


8P005900

3 way ball valve [Valpres artt. 772000 (T) - 775000 (L)]
investment casted, stainless steel AISI 316-CF8M,
threaded F/F/F with 4 seats, reduced bore, T or L port.



Technische Spezifikationen



| MOD | PN | A | B | C | D | E | F | G | ACT. | RI |
|------------|-----------|----------|----------|----------|----------|----------|----------|----------|-------------|-----------|
| 8P00590002 | 63 | 1/4" | 195 | 179 | 71 | 70 | 141 | 35 | DA 52 | 3760 |
| 8P00590003 | 63 | 3/8" | 195 | 179 | 71 | 70 | 141 | 35 | DA 52 | 3760 |
| 8P00590004 | 63 | 1/2" | 199 | 183 | 71 | 76 | 141 | 38 | DA 52 | 3760 |
| 8P00590005 | 63 | 3/4" | 231 | 210 | 81 | 87 | 164 | 45 | DA 63 | 3770 |
| 8P00590006 | 63 | 1" | 239 | 214 | 81 | 103 | 164 | 52 | DA 63 | 3762 |
| 8P00590007 | 63 | 1"1/4 | 266 | 219 | 81 | 118 | 164 | 58 | DA 63 | 3763 |
| 8P00590008 | 63 | 1"1/2 | 294 | 260 | 106 | 126 | 241 | 63 | DA 85 | 3764 |
| 8P00590010 | 63 | 2" | 309 | 269 | 106 | 149 | 241 | 75 | DA 85 | 3003 |