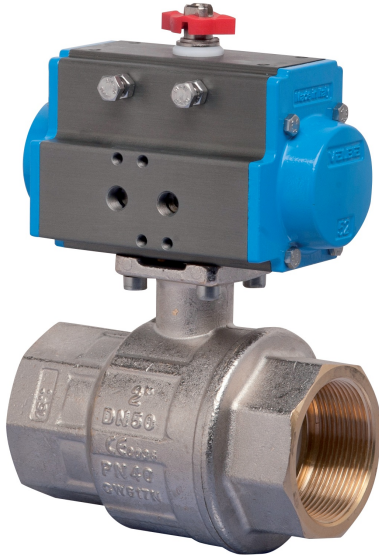
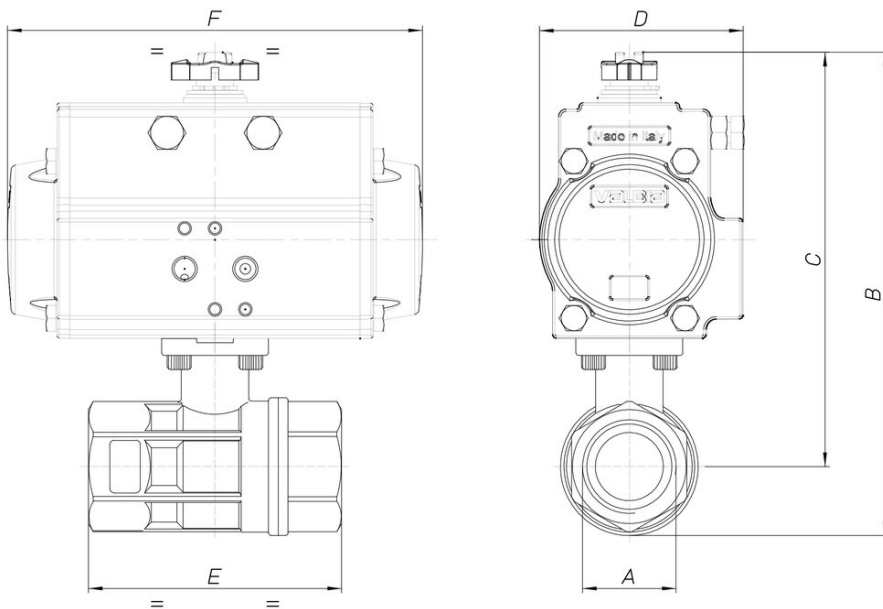


## 8P015900



2 way, brass ball valve [RB art. 2530] threaded F/F, stainless steel stem and ball, full bore, according to DIN 13547 certified ATEX Ex II 2 G/D c T4, suitable for use with solvents.

### Technische Spezifikationen



<b>MOD</b>	<b>PN</b>	<b>A</b>	<b>B</b>	<b>C</b>	<b>D</b>	<b>E</b>	<b>F</b>	<b>ACT.</b>	<b>RI</b>
8P01590002	40	1/4"	115	98	45	67	110	DA 32	4015
8P01590003	40	3/8"	115	98	45	67	110	DA 32	4015
8P01590004	40	1/2"	115	98	45	67	110	DA 32	4015
8P01590005	40	3/4"	120	100	45	76	110	DA 32	4015
8P01590006	40	1"	135	111	45	90	110	DA 32	4015
8P01590007	40	1" 1/4	144	114	45	102	110	DA 32	4015
8P01590008	40	1" 1/2	203	166	71	114	141	DA 52	4016
8P01590010	40	2"	221	175	71	138	141	DA 52	4016