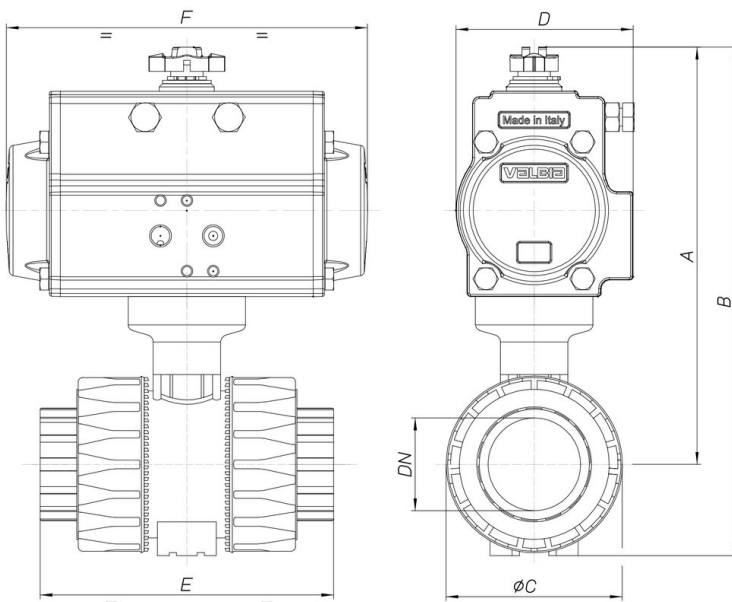




8P016100

2-Wege -Kugelhahn, aus PVC, mit Klebmuffe metrisch, mit Antrieb.

Technische Spezifikationen



| MOD | PN | A | B | ØC | D | E | F | ACT. |
|------------|-----------|----------|----------|-----------|----------|----------|----------|-------------|
| 8P01610003 | 16 | 160 | 189 | 54 | 71 | 103 | 141 | DA 52 |
| 8P01610004 | 16 | 160 | 189 | 54 | 71 | 103 | 141 | DA 52 |
| 8P01610005 | 16 | 171 | 206 | 65 | 71 | 115 | 141 | DA 52 |
| 8P01610006 | 16 | 174 | 213 | 73 | 71 | 128 | 141 | DA 52 |
| 8P01610007 | 16 | 204 | 236 | 86 | 81 | 146 | 164 | DA 63 |
| 8P01610008 | 16 | 210 | 262 | 98 | 81 | 164 | 164 | DA 63 |
| 8P01610010 | 16 | 228 | 290 | 122 | 81 | 199 | 164 | DA 63 |
| 8P01610012 | 10 | 233 | 320 | 164 | 81 | 235 | 164 | DA 63 |
| 8P01610014 | 10 | 263 | 368 | 203 | 95 | 270 | 210 | DA 75 |
| 8P01610018 | 10 | 296 | 425 | 238 | 106 | 308 | 241 | DA 85 |