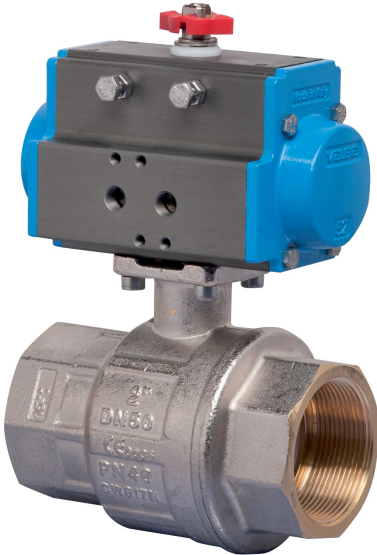
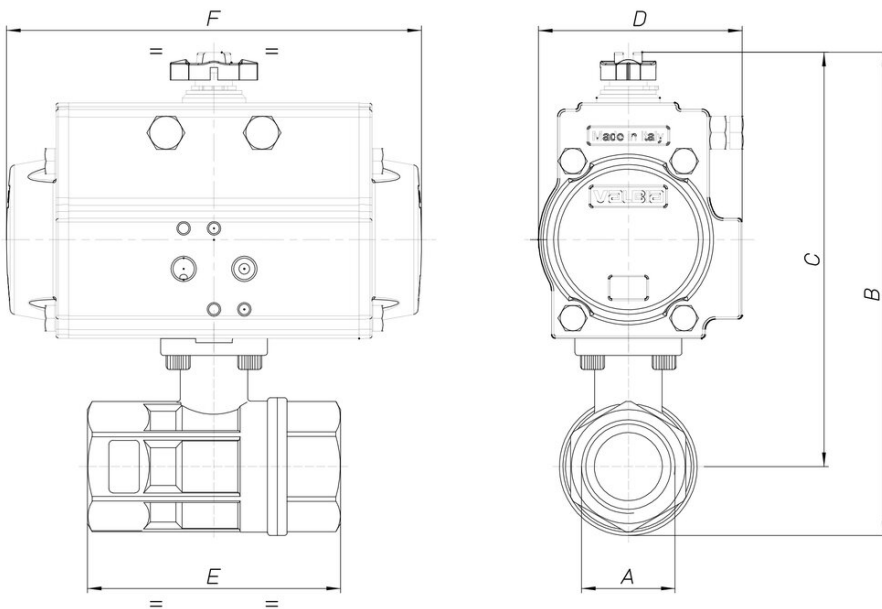


## 8P008100

2 way, brass ball valve, full bore according to DIN 13547 [RB art. 2500] threaded F/F, not suitable for use with solvents.



### Technische Spezifikationen



| <b>MOD</b> | <b>PN</b> | <b>A</b> | <b>B</b> | <b>C</b> | <b>D</b> | <b>E</b> | <b>F</b> | <b>ACT.</b> | <b>RI</b> |
|------------|-----------|----------|----------|----------|----------|----------|----------|-------------|-----------|
| 8P00810002 | 40        | 1/4"     | 151      | 134      | 71       | 67       | 141      | SR 52       | 4017      |
| 8P00810003 | 40        | 3/8"     | 151      | 134      | 71       | 67       | 141      | SR 52       | 4017      |
| 8P00810004 | 40        | 1/2"     | 151      | 134      | 71       | 67       | 141      | SR 52       | 4017      |
| 8P00810005 | 40        | 3/4"     | 156      | 136      | 71       | 76       | 141      | SR 52       | 4017      |
| 8P00810006 | 40        | 1"       | 172      | 147      | 71       | 90       | 141      | SR 52       | 4017      |
| 8P00810007 | 40        | 1" 1/4   | 180      | 151      | 71       | 102      | 141      | SR 52       | 4017      |
| 8P00810008 | 40        | 1" 1/2   | 214      | 177      | 81       | 114      | 164      | SR 63       | 4018      |
| 8P00810010 | 40        | 2"       | 232      | 186      | 81       | 138      | 164      | SR 63       | 4018      |
| 8P00810012 | 25        | 2" 1/2   | 291      | 234      | 106      | 165      | 241      | SR 85       | 4020      |
| 8P00810014 | 16        | 3"       | 311      | 243      | 106      | 188      | 241      | SR 85       | 4020      |
| 8P00810018 | 16        | 4"       | 358      | 275      | 123      | 225      | 275      | SR 100      | 4029      |