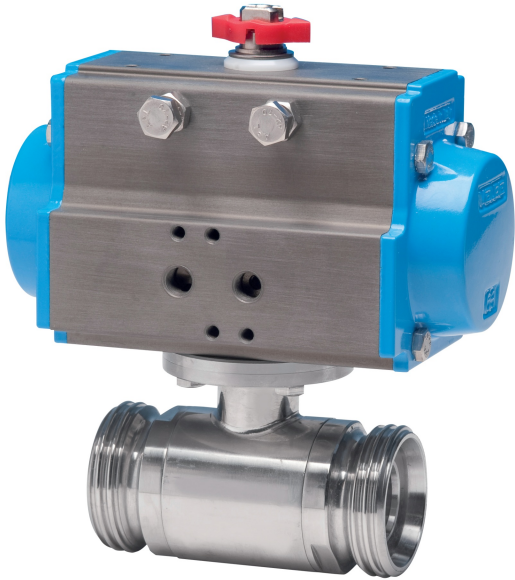
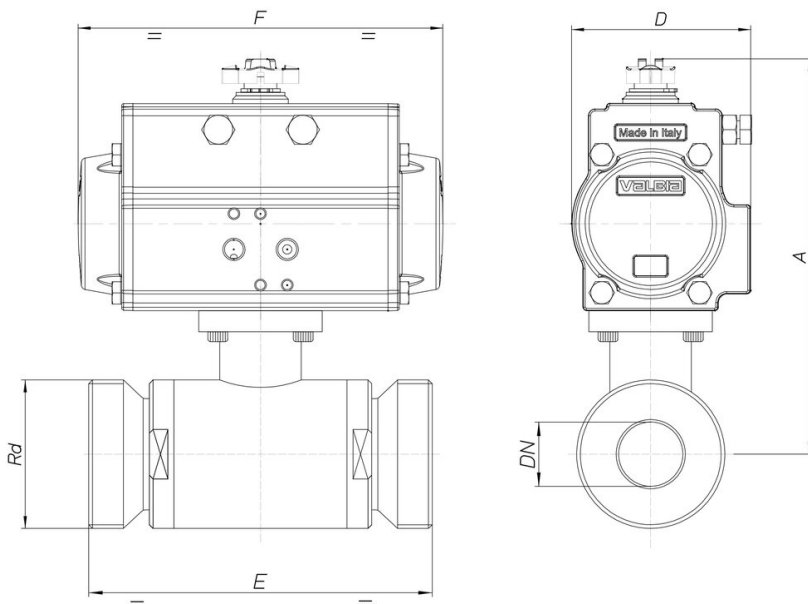


8P022400

2-Wege Flansch-Kugelhahn aus Edelstahl AISI 316
Vollmaterial, PTFE Dichtungen, Anschlüsse DIN 11851
I/I, voller Durchgang, poliert, mit Antrieb.



Technische Spezifikationen



MOD	PN	A	D	E	F	RD	ACT.
8P02240003	64	141	71	88	141	28x1/8"	SR 52
8P02240004	64	143	71	92	141	34x1/8"	SR 52
8P02240005	64	147	71	102	141	44x1/6"	SR 52
8P02240006	40	197	106	106	241	52x1/6"	SR 85
8P02240007	40	202	106	112	241	58x1/6"	SR 85
8P02240008	40	221	106	126	241	65x1/6"	SR 85
8P02240010	25	229	106	136	241	78x1/6"	SR 85
8P02240012	25	253	123	154	275	95x1/6"	SR 100
8P02240014	25	311	148	184	372	110x1/4"	SR 125
8P02240018	25	325	148	190	372	130x1/4"	SR 125