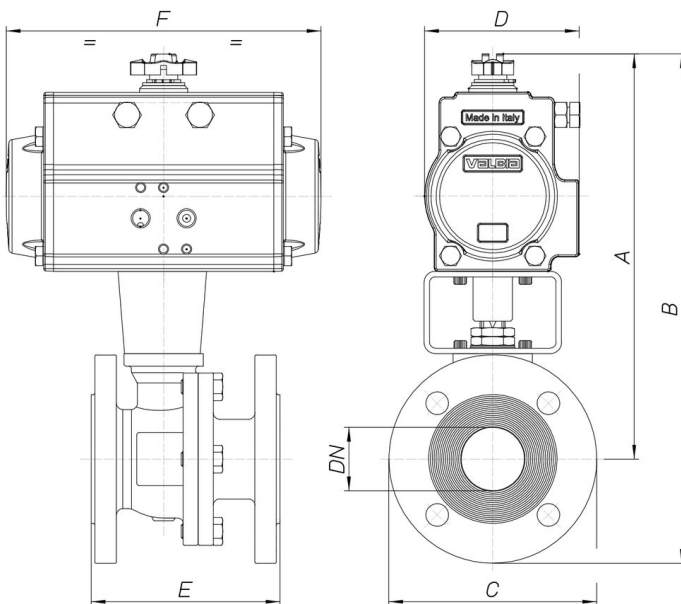


8P012400

Flansch-Kugelhahn "SPLIT BODY" [Valpres Art. 762000], ANSI150, aus Stahl WCB, voller Durchgang, Baulänge nach DIN 3202 F4/F5, Fire Safe, antistatisch, ATEX Ex II 2 G/D c T3, mit Antrieb. ATEX Ex II 2 G/D c T6.

Technische Spezifikationen



| MOD | PN | A | B | C | D | E | F | ACT. | RI |
|------------|-----------|----------|----------|----------|----------|----------|----------|-------------|-----------|
| 8P01240004 | 20 | 185 | 230 | 90 | 71 | 108 | 141 | SR52 | 3519 |
| 8P01240005 | 20 | 200 | 250 | 100 | 81 | 121 | 164 | SR63 | 3829 |
| 8P01240006 | 20 | 218 | 273 | 110 | 81 | 127 | 164 | SR63 | 3525 |
| 8P01240008 | 20 | 281 | 346 | 130 | 106 | 165 | 241 | SR85 | 3526 |
| 8P01240010 | 20 | 302 | 377 | 150 | 123 | 178 | 275 | SR100 | 3522 |
| 8P01240014 | 20 | 393 | 488 | 190 | 148 | 203 | 372 | SR125 | 3528 |
| 8P01240018 | 20 | 407 | 522 | 230 | 148 | 229 | 372 | SR125 | 3528 |
| 8P01240020 | 20 | 540 | 695 | 280 | 213 | 394 | 493 | SR180 | 3555 |
| 8P01240021 | 20 | 608 | 781 | 345 | 217 | 457 | 587 | SR200 | 3555 |
| 8P01240077 | 10 | 947 | 1150 | 405 | 402 | 533 | 881 | SR330 | 4578 |
| 8P01240078 | 10 | 978 | 1221 | 485 | 402 | 610 | 881 | SR330 | 4578 |