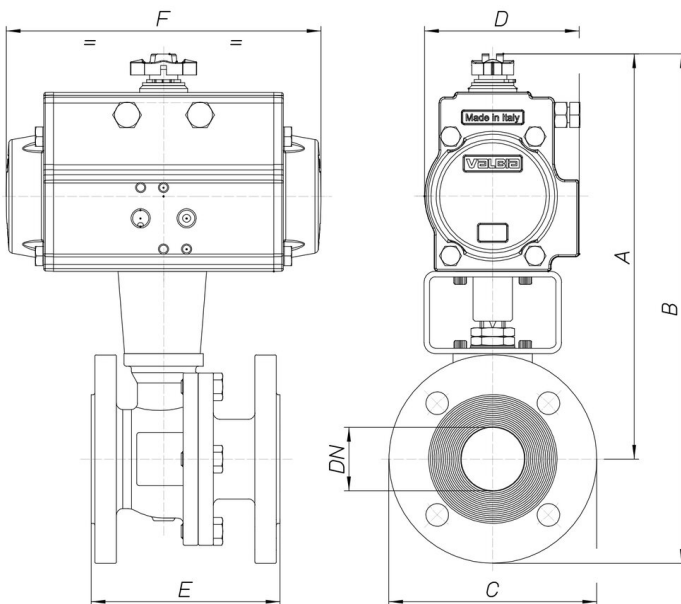


8P011700

Split Body [Valpres art. 760000] full bore flanged PN16 ball valve, stainless steel AISI 316 CF8M, Fire Safe, Antistatic Device, face to face EN558 basic series 27, classified ATEX Ex II 2 G/D c T3.

Technische Spezifikationen



MOD	PN	A	B	C	D	E	F	ACT.	RI
8P01170004	40	148	195	95	45	115	110	DA32	3518
8P01170005	40	189	242	105	71	120	141	DA52	3519
8P01170006	40	207	265	115	71	125	141	DA52	3520
8P01170007	40	210	280	140	71	130	141	DA52	3520
8P01170008	40	250	325	150	81	140	164	DA63	3521
8P01170010	40	275	357	165	95	150	210	DA75	3522
8P01170012	16	299	392	185	106	170	241	DA85	3522
8P01170014	16	333	433	200	106	180	241	DA85	3523
8P01170018	16	360	470	220	123	190	275	DA100	3552
8P01170019	16	382	507	250	123	325	275	DA100	3552
8P01170020	16	462	604	285	148	350	372	DA125	3553
8P01170021	16	551	721	340	186	400	500	DA160	3554
8P01170077	16	747	950	405	249	450	690	DA230	4577
8P01170078	16	778	1008	460	249	500	690	DA230	4577