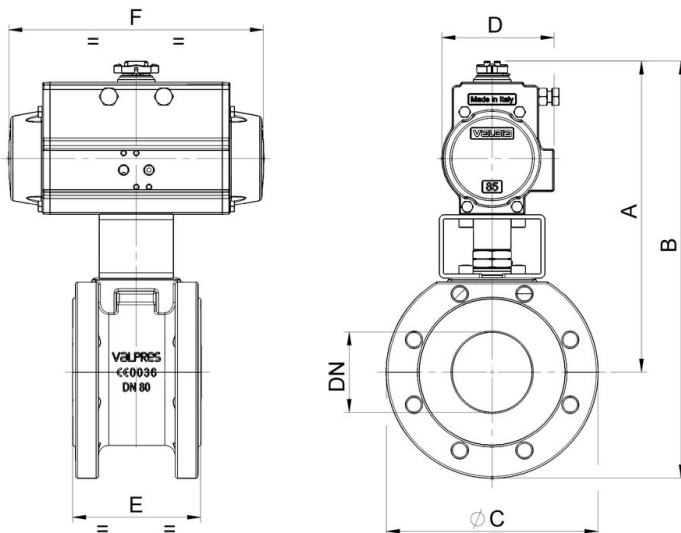




8P110000

2 way Wafer ball valve [Valpres art. 721V00 DN15 to DN100 (DN65 and DN100 only PN16) art.721V78 DN65 and DN100 only PN40] flanged PN16/40, stainless steel A351-CF8M, full bore, EN 558 basic series 100, metric thread, V-Pack stem seal, Fire Safe, Antistatic Device.

Technische Spezifikationen



MOD	PN	A	B	ØC	D	E	F	ACT.	RI
8P11000004	16-40	186	233	95	71	36	141	SR52	5344
8P11000005	16-40	202	254	105	81	39	164	SR63	5346
8P11000006	16-40	210	267	115	81	44	164	SR63	5347
8P11000007	16-40	214	284	140	81	52	164	SR63	5347
8P11000008	16-40	267	342	150	81	64	241	SR85	4117
8P11000010	16-40	288	371	165	123	83	275	SR100	4117
8P11000012	16	335	427	185	137	105	333	SR115	3527
8P11000012	40	335	427	185	137	105	333	SR115	3527
8P11000014	16-40	353	453	200	148	121	372	SR125	5347
8P11000018	16	388	498	220	148	152	372	SR125	3528
8P11000018	40	388	498	220	148	152	372	SR125	3528