

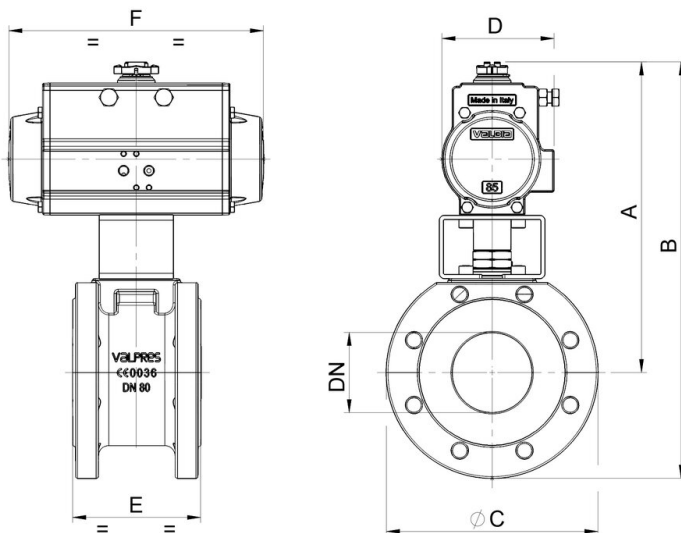


8P110100

2 way Wafer ball valve [Valpres art. 721V00 DN15 to DN100 (DN65 and DN100 only PN16) art.721V78 DN65 and DN100 only PN40] flanged PN16/40, stainless steel A351-CF8M, full bore, EN 558 basic series 100, metric thread, V-Pack stem seal, Fire Safe, Antistatic Device.

NEW

Technische Spezifikationen



MOD	PN	A	B	ØC	D	E	F	ACT.	RI
8P11010004	16-40	186	233	95	71	36	141	DA 32	5343
8P11010005	16-40	202	254	105	81	39	164	DA 52	5344
8P11010006	16-40	210	267	115	81	44	164	DA 52	3542
8P11010007	16-40	214	284	140	81	52	164	DA 52	3521
8P11010008	16-40	267	342	150	81	64	241	DA 63	3521
8P11010010	16-40	288	371	165	123	83	275	DA 75	3526
8P11010012	16	335	427	185	137	105	333	DA 85	3522
8P11010014	40	335	427	185	137	105	333	DA 85	5345
8P11010018	16-40	353	453	200	148	121	372	DA 100	3522