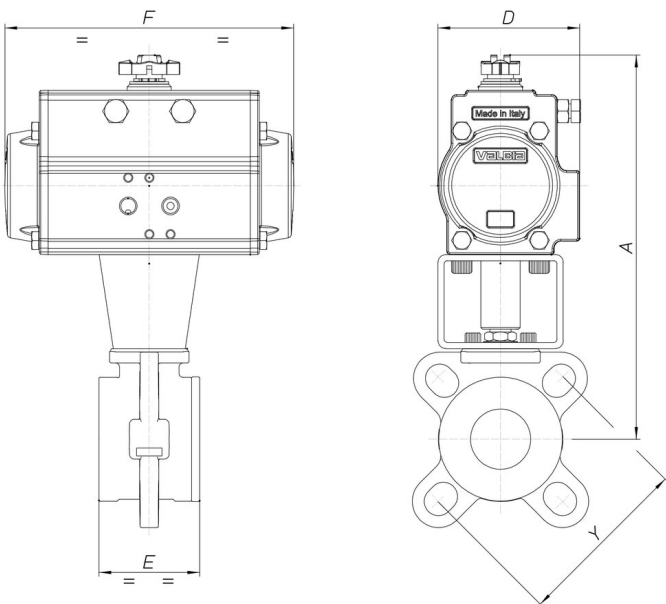




## 8P023200

Wafer type full bore ball valve [Valpres art. 725000]  
 CF8M, ANSI 150, PN10-PN16-PN40 (PN40, not  
 available for DN65-80-100).

### Technische Spezifikationen



<b>MOD</b>	<b>PN</b>	<b>A</b>	<b>D</b>	<b>E</b>	<b>F</b>	<b>Y</b>	<b>ACT.</b>	<b>RI</b>
8P02320006	40	212	81	46	164	PN10-PN16 PN40 ANSI 150	SR 63	4234
8P02320007	40	216	81	54	164	PN10-PN16 PN40 ANSI 150	SR 63	4234
8P02320008	40	263	106	64	241	PN10-PN16 PN40 ANSI 150	SR 85	4232
8P02320010	40	284	123	82	275	PN10-PN16 PN40 ANSI 150	SR 100	4232
8P02320012	20	341	137	103	333	PN10-PN16 ANSI 150	SR 115	4235
8P02320014	20	362	148	122	372	PN10-PN16 ANSI 150	SR 125	4235
8P02320018	20	375	148	152	372	PN10-PN16 ANSI 150	SR 125	4235