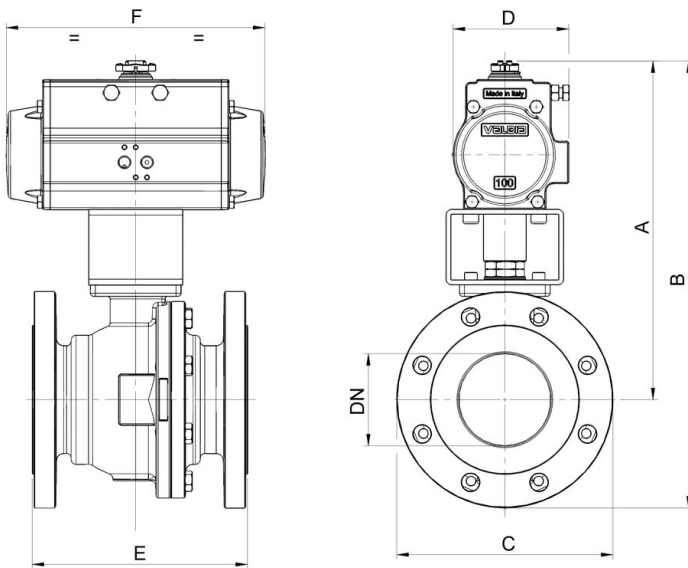


8P110500

Split Body [Valpres art.760V41] full bore flanged PN40 ball valve, zinc-plated painted (DN>100) carbon steel A216-LCB, V-Pack stem seal, EN 558 basic series 27 face to face to dimension, Fire Safe, Antistatic Device.

NEW

Technische Spezifikationen



MOD	PN	A	B	ØC	D	E	F	ACT.	RI
8P11050012	40	358	451	185	148	170	372	SR 125	3527
8P11050014	40	393	493	200	148	180	372	SR 125	3528
8P11050018	40	453	571	235	186	190	500	SR 160	3997
8P11050020	40	652	802	300	249	350	690	SR 230	3753
8P11050021	40	697	885	375	249	400	690	SR 230	3753