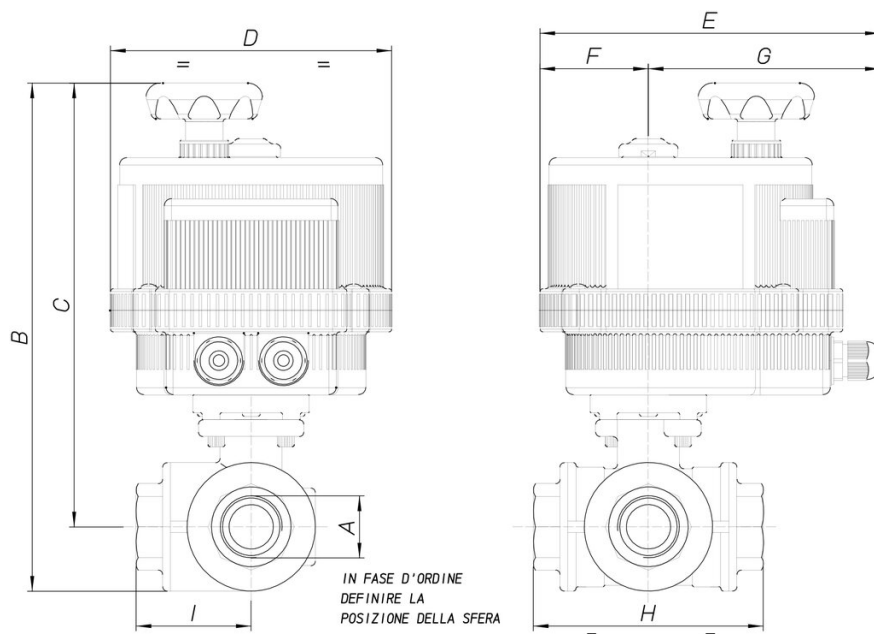




8E028

3-Wege-Kugelhahn [RB Art. 3500 (T) - 3600 (L)], aus Messing CW 617N, Dichtungen PTFE + VITON, Gewindeanschluß I/I/I, voller Durchgang, "T" oder "L" Bohrung, mit elektrischem Antrieb. Nicht geeignet für Lösungsmittel.

Technische Spezifikationen



| MOD | PN | A | B | C | D | E | F | G | H | I | ACT. | RI |
|------------|----|-------|-----|-----|-----|-----|----|-----|-----|----|--------|------|
| 8E02800102 | 30 | 1/4" | 190 | 173 | 123 | 164 | 43 | 121 | 67 | 34 | VB 015 | 3798 |
| 8E02800202 | 30 | 1/4" | 190 | 173 | 123 | 164 | 43 | 121 | 67 | 34 | VB 015 | 3798 |
| 8E02800402 | 30 | 1/4" | 190 | 173 | 123 | 164 | 43 | 121 | 67 | 34 | VB 015 | 3798 |
| 8E02800103 | 30 | 3/8" | 190 | 173 | 123 | 164 | 43 | 121 | 67 | 34 | VB 015 | 3798 |
| 8E02800203 | 30 | 3/8" | 190 | 173 | 123 | 164 | 43 | 121 | 67 | 34 | VB 015 | 3798 |
| 8E02800403 | 30 | 3/8" | 190 | 173 | 123 | 164 | 43 | 121 | 67 | 34 | VB 015 | 3798 |
| 8E02800104 | 30 | 1/2" | 195 | 175 | 123 | 164 | 43 | 121 | 77 | 39 | VB 015 | 3798 |
| 8E02800204 | 30 | 1/2" | 195 | 175 | 123 | 164 | 43 | 121 | 77 | 39 | VB 015 | 3798 |
| 8E02800404 | 30 | 1/2" | 195 | 175 | 123 | 164 | 43 | 121 | 77 | 39 | VB 015 | 3798 |
| 8E02800105 | 30 | 3/4" | 208 | 184 | 123 | 164 | 43 | 121 | 87 | 44 | VB 015 | 4023 |
| 8E02800205 | 30 | 3/4" | 208 | 184 | 123 | 164 | 43 | 121 | 87 | 44 | VB 015 | 4023 |
| 8E02800405 | 30 | 3/4" | 208 | 184 | 123 | 164 | 43 | 121 | 87 | 44 | VB 015 | 4023 |
| 8E02800106 | 16 | 1" | 265 | 235 | 157 | 191 | 61 | 130 | 105 | 53 | VB 030 | 4023 |
| 8E02800206 | 16 | 1" | 265 | 235 | 157 | 191 | 61 | 130 | 105 | 53 | VB 030 | 4023 |
| 8E02800406 | 16 | 1" | 265 | 235 | 157 | 191 | 61 | 130 | 105 | 53 | VB 030 | 4023 |
| 8E02800107 | 10 | 1"1/4 | 284 | 248 | 157 | 191 | 61 | 130 | 123 | 62 | VB 030 | 4023 |
| 8E02800207 | 10 | 1"1/4 | 284 | 248 | 157 | 191 | 61 | 130 | 123 | 62 | VB 030 | 4023 |
| 8E02800407 | 10 | 1"1/4 | 284 | 248 | 157 | 191 | 61 | 130 | 123 | 62 | VB 030 | 4023 |
| 8E02800108 | 10 | 1"1/2 | 332 | 289 | 185 | 215 | 68 | 147 | 139 | 70 | VB 060 | 4024 |
| 8E02800208 | 10 | 1"1/2 | 332 | 289 | 185 | 215 | 68 | 147 | 139 | 70 | VB 060 | 4024 |
| 8E02800408 | 10 | 1"1/2 | 332 | 289 | 185 | 215 | 68 | 147 | 139 | 70 | VB 060 | 4024 |
| 8E02800110 | 10 | 2" | 356 | 300 | 185 | 215 | 68 | 147 | 166 | 83 | VB 060 | 4024 |
| 8E02800210 | 10 | 2" | 356 | 300 | 185 | 215 | 68 | 147 | 166 | 83 | VB 060 | 4024 |
| 8E02800410 | 10 | 2" | 356 | 300 | 185 | 215 | 68 | 147 | 166 | 83 | VB 060 | 4024 |