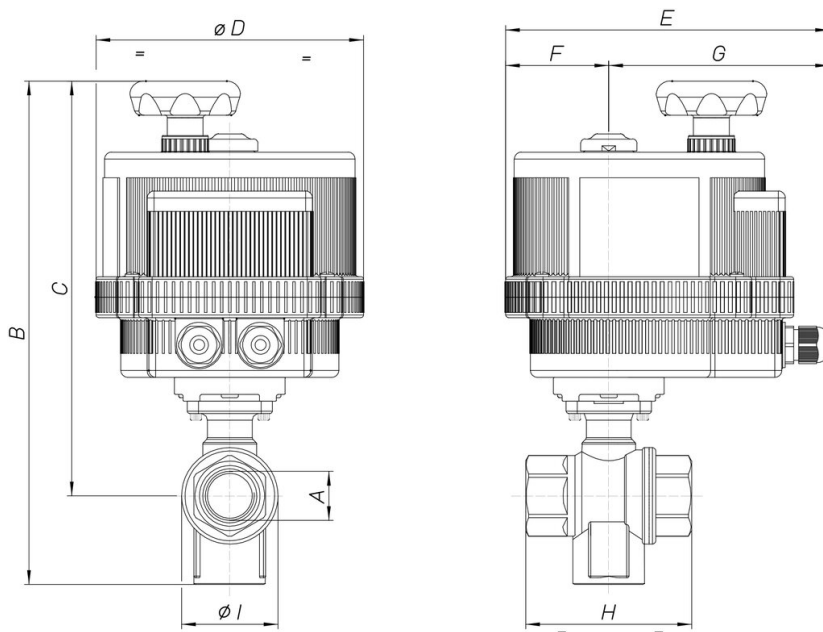


8E044

3-Wege Kugelhahn, Ablenker, [RB Art. 3110 (T)], aus Messing CW617N, voller Durchgang, Gewindeanschluß I/I/I, "T" oder "L" Bohrung, mit elektrischem Antrieb.



Technische Spezifikationen



| MOD | PN | A | B | C | D | E | F | G | H | I | ACT. | RI |
|------------|----|-------|-----|-----|-----|-----|----|-----|-----|----|--------|------|
| 8E04400102 | 25 | 1/4" | 197 | 171 | 123 | 164 | 43 | 121 | 52 | 28 | VB 015 | 4017 |
| 8E04400202 | 25 | 1/4" | 197 | 171 | 123 | 164 | 43 | 121 | 52 | 28 | VB 015 | 4017 |
| 8E04400402 | 25 | 1/4" | 197 | 171 | 123 | 164 | 43 | 121 | 52 | 28 | VB 015 | 4017 |
| 8E04400103 | 25 | 3/8" | 197 | 171 | 123 | 164 | 43 | 121 | 52 | 28 | VB 015 | 4017 |
| 8E04400203 | 25 | 3/8" | 197 | 171 | 123 | 164 | 43 | 121 | 52 | 28 | VB 015 | 4017 |
| 8E04400403 | 25 | 3/8" | 197 | 171 | 123 | 164 | 43 | 121 | 52 | 28 | VB 015 | 4017 |
| 8E04400104 | 25 | 1/2" | 207 | 173 | 123 | 164 | 43 | 121 | 64 | 35 | VB 015 | 4017 |
| 8E04400204 | 25 | 1/2" | 207 | 173 | 123 | 164 | 43 | 121 | 64 | 35 | VB 015 | 4017 |
| 8E04400404 | 25 | 1/2" | 207 | 173 | 123 | 164 | 43 | 121 | 64 | 35 | VB 015 | 4017 |
| 8E04400105 | 16 | 3/4" | 224 | 184 | 123 | 164 | 43 | 121 | 74 | 43 | VB 015 | 4017 |
| 8E04400205 | 16 | 3/4" | 224 | 184 | 123 | 164 | 43 | 121 | 74 | 43 | VB 015 | 4017 |
| 8E04400405 | 16 | 3/4" | 224 | 184 | 123 | 164 | 43 | 121 | 74 | 43 | VB 015 | 4017 |
| 8E04400106 | 16 | 1" | 234 | 187 | 123 | 164 | 43 | 121 | 89 | 53 | VB 015 | 4017 |
| 8E04400206 | 16 | 1" | 234 | 187 | 123 | 164 | 43 | 121 | 89 | 53 | VB 015 | 4017 |
| 8E04400406 | 16 | 1" | 234 | 187 | 123 | 164 | 43 | 121 | 89 | 53 | VB 015 | 4017 |
| 8E04400107 | 10 | 1"1/4 | 246 | 191 | 123 | 164 | 43 | 121 | 100 | 63 | VB 015 | 4017 |
| 8E04400207 | 10 | 1"1/4 | 246 | 191 | 123 | 164 | 43 | 121 | 100 | 63 | VB 015 | 4017 |
| 8E04400407 | 10 | 1"1/4 | 246 | 191 | 123 | 164 | 43 | 121 | 100 | 63 | VB 015 | 4017 |
| 8E04400108 | 10 | 1"1/2 | 311 | 250 | 157 | 191 | 61 | 130 | 110 | 77 | VB 030 | 4016 |
| 8E04400208 | 10 | 1"1/2 | 311 | 250 | 157 | 191 | 61 | 130 | 110 | 77 | VB 030 | 4016 |
| 8E04400408 | 10 | 1"1/2 | 311 | 250 | 157 | 191 | 61 | 130 | 110 | 77 | VB 030 | 4016 |
| 8E04400110 | 10 | 2" | 328 | 255 | 157 | 191 | 61 | 130 | 130 | 93 | VB 030 | 4016 |
| 8E04400210 | 10 | 2" | 328 | 255 | 157 | 191 | 61 | 130 | 130 | 93 | VB 030 | 4016 |
| 8E04400410 | 10 | 2" | 328 | 255 | 157 | 191 | 61 | 130 | 130 | 93 | VB 030 | 4016 |