

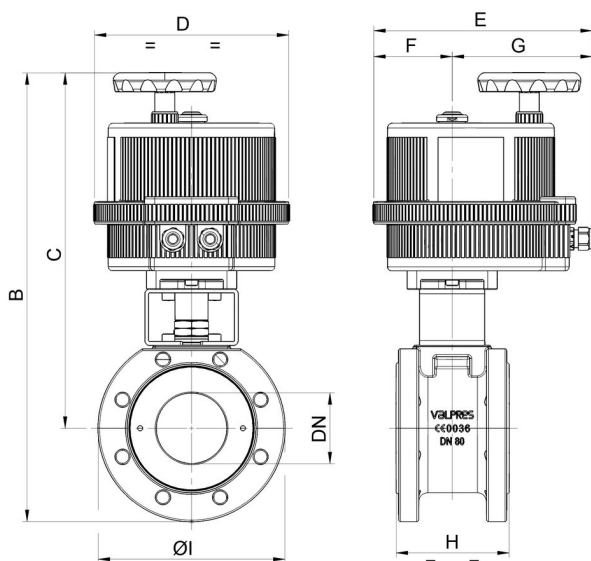
8E259



2 way Wafer ball valve [Valpres art. 721V00 DN15 to DN100 (DN65 and DN100 only PN16) art.721V78 DN65 and DN100 only PN40] flanged PN16/40, stainless steel A351-CF8M, full bore, EN 558 basic series 100, metric thread, V-Pack stem seal, Fire Safe, Antistatic Device. With electric actuator series 85.

NEW

Technische Spezifikationen



| MOD | PN | B | C | D | E | F | G | H | I | ACT. | RI |
|------------|-------|-----|-----|-----|-----|----|-----|-----|-----|--------|------|
| 8E25900104 | 16-40 | 269 | 224 | 123 | 164 | 43 | 121 | 35 | 90 | VB 015 | 5344 |
| 8E25900204 | 16-40 | 269 | 224 | 123 | 164 | 43 | 121 | 35 | 90 | VB 015 | 5344 |
| 8E25900404 | 16-40 | 269 | 224 | 123 | 164 | 43 | 121 | 35 | 90 | VB 015 | 5344 |
| 8E25900105 | 16-40 | 278 | 228 | 123 | 164 | 43 | 121 | 40 | 100 | VB 015 | 5344 |
| 8E25900205 | 16-40 | 278 | 228 | 123 | 164 | 43 | 121 | 40 | 100 | VB 015 | 5344 |
| 8E25900405 | 16-40 | 278 | 228 | 123 | 164 | 43 | 121 | 40 | 100 | VB 015 | 5344 |
| 8E25900106 | 16-40 | 340 | 282 | 157 | 191 | 61 | 130 | 46 | 115 | VB 030 | 3542 |
| 8E25900206 | 16-40 | 340 | 282 | 157 | 191 | 61 | 130 | 46 | 115 | VB 030 | 3542 |
| 8E25900406 | 16-40 | 340 | 282 | 157 | 191 | 61 | 130 | 46 | 115 | VB 030 | 3542 |
| 8E25900107 | 16-40 | 358 | 288 | 157 | 191 | 61 | 130 | 54 | 140 | VB 060 | 3542 |
| 8E25900207 | 16-40 | 358 | 288 | 157 | 191 | 61 | 130 | 54 | 140 | VB 060 | 3542 |
| 8E25900407 | 16-40 | 358 | 288 | 157 | 191 | 61 | 130 | 54 | 140 | VB 060 | 3542 |
| 8E25900108 | 16-40 | 404 | 329 | 185 | 215 | 68 | 147 | 64 | 150 | VB 060 | 3521 |
| 8E25900208 | 16-40 | 404 | 329 | 185 | 215 | 68 | 147 | 64 | 150 | VB 060 | 3521 |
| 8E25900408 | 16-40 | 404 | 329 | 185 | 215 | 68 | 147 | 64 | 150 | VB 060 | 3521 |
| 8E25900110 | 16-40 | 420 | 337 | 185 | 215 | 68 | 147 | 82 | 165 | VB 060 | 3521 |
| 8E25900210 | 16-40 | 420 | 337 | 185 | 215 | 68 | 147 | 82 | 165 | VB 060 | 3521 |
| 8E25900410 | 16-40 | 420 | 337 | 185 | 215 | 68 | 147 | 82 | 165 | VB 060 | 3521 |
| 8E25900112 | 16 | 465 | 372 | 211 | 237 | 84 | 153 | 103 | 185 | VB 110 | 3522 |
| 8E25900212 | 16 | 465 | 372 | 211 | 237 | 84 | 153 | 103 | 185 | VB 110 | 3522 |
| 8E25900412 | 16 | 465 | 372 | 211 | 237 | 84 | 153 | 103 | 185 | VB 110 | 3522 |
| 8E25900114 | 40 | 465 | 372 | 211 | 237 | 84 | 153 | 103 | 185 | VB 110 | 5345 |
| 8E25900214 | 40 | 465 | 372 | 211 | 237 | 84 | 153 | 103 | 185 | VB 110 | 5345 |
| 8E25900414 | 40 | 465 | 372 | 211 | 237 | 84 | 153 | 103 | 185 | VB 110 | 5345 |
| 8E25900118 | 16-40 | 479 | 379 | 211 | 237 | 84 | 153 | 122 | 200 | VB 190 | 3552 |
| 8E25900218 | 16-40 | 479 | 379 | 211 | 237 | 84 | 153 | 122 | 200 | VB 190 | 3552 |
| 8E25900418 | 16-40 | 479 | 379 | 211 | 237 | 84 | 153 | 122 | 200 | VB 190 | 3552 |