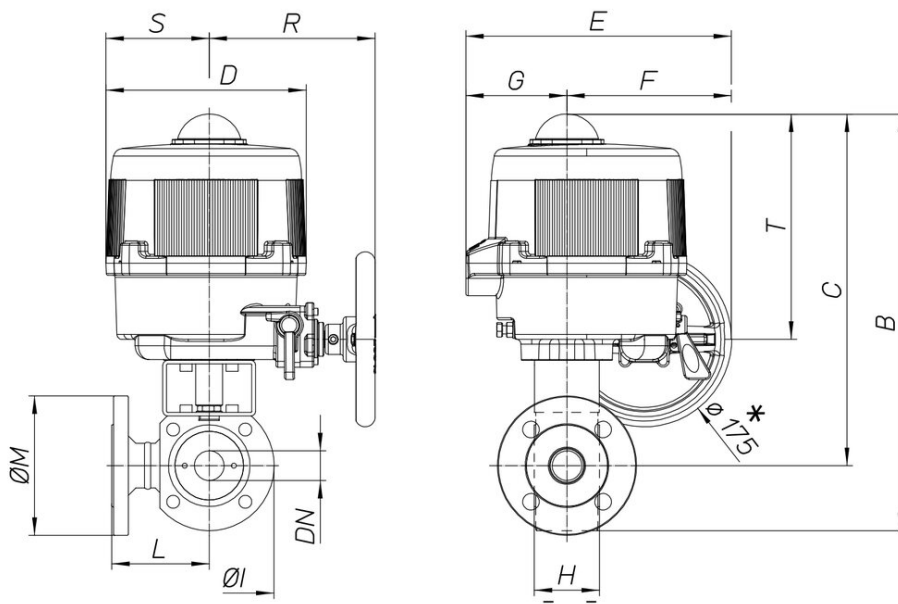




## 8M015

3 way Wafer ball valve diverting [Valpres art. 776001 (T) - 776000 (L)] T or L port, 2 seats, flanged PN16, carbon steel ASTM A105 reduced bore.

### Technische Spezifikationen



| MOD        | PN | B   | C   | D   | E   | F   | G   | H   | ØI  | L   | ØM  | R   | S   | T   | ACT.    | RI   |
|------------|----|-----|-----|-----|-----|-----|-----|-----|-----|-----|-----|-----|-----|-----|---------|------|
| 8M01500106 | 16 | 345 | 290 | 161 | 187 | 63  | 124 | 46  | 109 | 86  | 115 | -   | -   | -   | VB 030M | 3001 |
| 8M01500206 | 16 | 345 | 290 | 161 | 187 | 63  | 124 | 46  | 109 | 86  | 115 | -   | -   | -   | VB 030M | 3001 |
| 8M01500406 | 16 | 345 | 290 | 161 | 187 | 63  | 124 | 46  | 109 | 86  | 115 | -   | -   | -   | VB 030M | 3001 |
| 8M01500107 | 16 | 363 | 298 | 161 | 187 | 63  | 124 | 58  | 130 | 105 | 140 | -   | -   | -   | VB 030M | 3008 |
| 8M01500207 | 16 | 363 | 298 | 161 | 187 | 63  | 124 | 58  | 130 | 105 | 140 | -   | -   | -   | VB 030M | 3008 |
| 8M01500407 | 16 | 363 | 298 | 161 | 187 | 63  | 124 | 58  | 130 | 105 | 140 | -   | -   | -   | VB 030M | 3008 |
| 8M01500108 | 16 | 404 | 334 | 176 | 197 | 63  | 134 | 71  | 140 | 110 | 150 | -   | -   | -   | VB 060M | 3002 |
| 8M01500208 | 16 | 404 | 334 | 176 | 197 | 63  | 134 | 71  | 140 | 110 | 150 | -   | -   | -   | VB 060M | 3002 |
| 8M01500408 | 16 | 404 | 334 | 176 | 197 | 63  | 134 | 71  | 140 | 110 | 150 | -   | -   | -   | VB 060M | 3002 |
| 8M01500110 | 16 | 420 | 340 | 176 | 197 | 63  | 134 | 82  | 160 | 115 | 165 | -   | -   | -   | VB 060M | 3002 |
| 8M01500210 | 16 | 420 | 340 | 176 | 197 | 63  | 134 | 82  | 160 | 115 | 165 | -   | -   | -   | VB 060M | 3002 |
| 8M01500410 | 16 | 420 | 340 | 176 | 197 | 63  | 134 | 82  | 160 | 115 | 165 | -   | -   | -   | VB 060M | 3002 |
| 8M01500112 | 16 | 473 | 383 | 200 | 266 | 165 | 101 | 106 | 180 | 125 | 185 | 167 | 103 | 225 | VB 110M | 3003 |
| 8M01500212 | 16 | 473 | 383 | 200 | 266 | 165 | 101 | 106 | 180 | 125 | 185 | 167 | 103 | 225 | VB 110M | 3003 |
| 8M01500412 | 16 | 473 | 383 | 200 | 266 | 165 | 101 | 106 | 180 | 125 | 185 | 167 | 103 | 225 | VB 110M | 3003 |
| 8M01500114 | 16 | 491 | 391 | 200 | 266 | 165 | 101 | 122 | 200 | 150 | 200 | 167 | 103 | 225 | VB 110M | 3003 |
| 8M01500214 | 16 | 491 | 391 | 200 | 266 | 165 | 101 | 122 | 200 | 150 | 200 | 167 | 103 | 225 | VB 110M | 3003 |
| 8M01500414 | 16 | 491 | 391 | 200 | 266 | 165 | 101 | 122 | 200 | 150 | 200 | 167 | 103 | 225 | VB 110M | 3003 |
| 8M01500118 | 16 | 538 | 428 | 200 | 266 | 165 | 101 | 152 | 220 | 159 | 220 | 167 | 103 | 225 | VB 190M | 3004 |
| 8M01500218 | 16 | 538 | 428 | 200 | 266 | 165 | 101 | 152 | 220 | 159 | 220 | 167 | 103 | 225 | VB 190M | 3004 |
| 8M01500418 | 16 | 538 | 428 | 200 | 266 | 165 | 101 | 152 | 220 | 159 | 220 | 167 | 103 | 225 | VB 190M | 3004 |
| 8M01500119 | 16 | 578 | 454 | 200 | 266 | 165 | 101 | 196 | 250 | 190 | 250 | 167 | 103 | 225 | VB 190M | 4558 |
| 8M01500219 | 16 | 578 | 454 | 200 | 266 | 165 | 101 | 196 | 250 | 190 | 250 | 167 | 103 | 225 | VB 190M | 4558 |
| 8M01500419 | 16 | 578 | 454 | 200 | 266 | 165 | 101 | 196 | 250 | 190 | 250 | 167 | 103 | 225 | VB 190M | 4558 |
| 8M01500120 | 16 | 630 | 454 | 212 | 279 | 184 | 95  | 242 | 306 | 210 | 285 | 166 | 109 | 226 | VB 350M | 3042 |
| 8M01500220 | 16 | 630 | 454 | 212 | 279 | 184 | 95  | 242 | 306 | 210 | 285 | 166 | 109 | 226 | VB 350M | 3042 |
| 8M01500420 | 16 | 630 | 454 | 212 | 279 | 184 | 95  | 242 | 306 | 210 | 285 | 166 | 109 | 226 | VB 350M | 3042 |