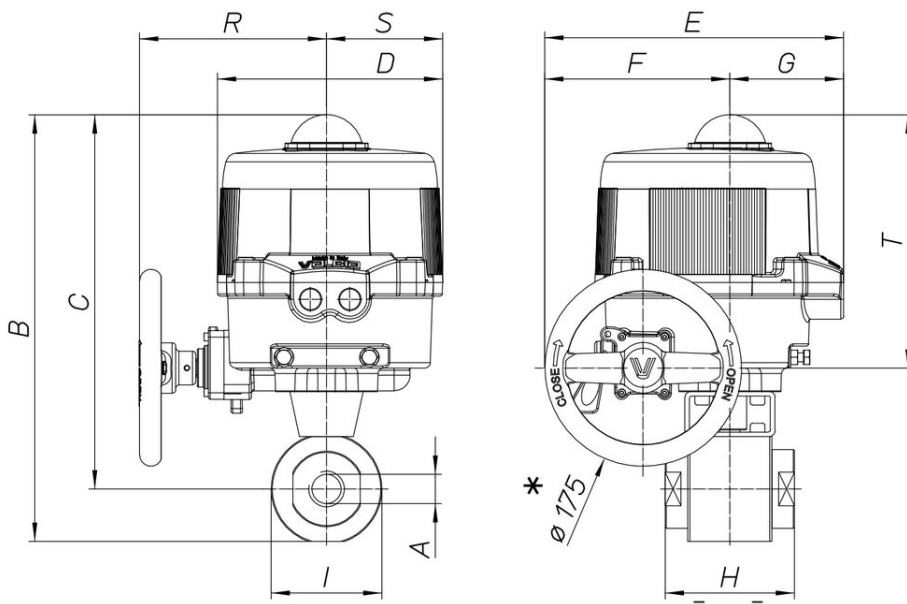


8M050

2 way ball valve, 9SMnPb36 F/F threaded, high pressure, for hydraulic oil, emulsion, gas. For particular applications refer to sales department.



Technische Spezifikationen



MOD	PN	A	B	C	D	E	F	G	H	I	R	S	T	ACT.	RI
8M05000103	500	3/8"	279	261	161	187	63	124	73	35	-	-	-	VB 030M	3740
8M05000203	500	3/8"	279	261	161	187	63	124	73	35	-	-	-	VB 030M	3740
8M05000403	500	3/8"	279	261	161	187	63	124	73	35	-	-	-	VB 030M	3740
8M05000104	500	1/2"	282	264	161	187	63	124	95	45	-	-	-	VB 030M	3740
8M05000204	500	1/2"	282	264	161	187	63	124	95	45	-	-	-	VB 030M	3740
8M05000404	500	1/2"	282	264	161	187	63	124	95	45	-	-	-	VB 030M	3740
8M05000105	400	3/4"	294	241	161	187	63	124	95	45	-	-	-	VB 030M	4037
8M05000205	400	3/4"	294	241	161	187	63	124	95	45	-	-	-	VB 030M	4037
8M05000405	400	3/4"	294	241	161	187	63	124	95	45	-	-	-	VB 030M	4037
8M05000106	350	1"	325	296	176	197	63	134	112	55	-	-	-	VB 060M	4038
8M05000206	350	1"	325	296	176	197	63	134	112	55	-	-	-	VB 060M	4038
8M05000406	350	1"	325	296	176	197	63	134	112	55	-	-	-	VB 060M	4038
8M05000107	350	1"1/4	403	343	200	266	165	101	127	99	167	103	225	VB 110M	4482
8M05000207	350	1"1/4	403	343	200	266	165	101	127	99	167	103	225	VB 110M	4482
8M05000407	350	1"1/4	403	343	200	266	165	101	127	99	167	103	225	VB 110M	4482
8M05000108	350	1"1/2	416	359	200	266	165	101	135	114	167	103	225	VB 110M	4223
8M05000208	350	1"1/2	416	359	200	266	165	101	135	114	167	103	225	VB 110M	4223
8M05000408	350	1"1/2	416	359	200	266	165	101	135	114	167	103	225	VB 110M	4223
8M05000110	350	2"	446	384	212	279	184	95	160	123	166	109	226	VB 270M	4224
8M05000210	350	2"	446	384	212	279	184	95	160	123	166	109	226	VB 270M	4224
8M05000410	350	2"	446	384	212	279	184	95	160	123	166	109	226	VB 270M	4224