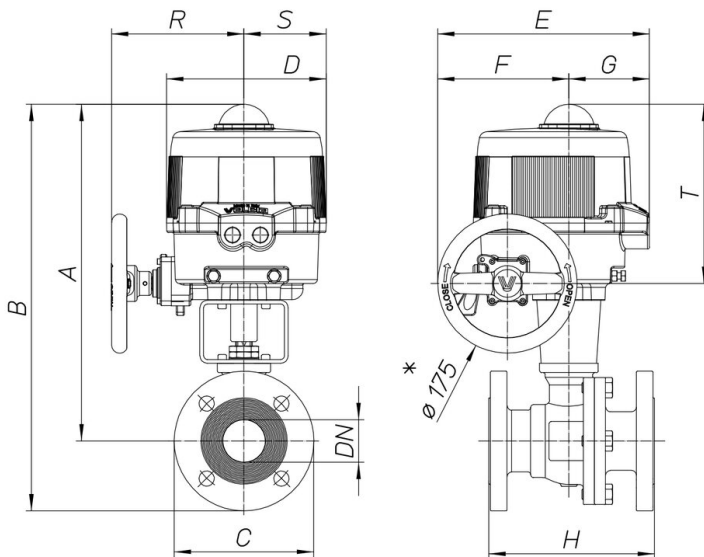


8M055



Split body type flanged ANSI 150 ball valve [Valpres art. 760005] stainless steel AISI 316 CF8M, full bore, Fire Safe, Antistatic Device, face to face ANSI B16.10, classified ATEX Ex II 2 G/D c T3.

Technische Spezifikationen



MOD	PN	ACT.	KIT
8M05500104	-	-	-
8M05500204	-	-	-
8M05500404	-	-	-
8M05500105	-	-	-
8M05500205	-	-	-
8M05500405	-	-	-
8M05500106	20	VB030M	RI3520
8M05500206	20	VB030M	RI3520
8M05500406	20	VB030M	RI3520
8M05500108	20	VB060M	RI3521
8M05500208	20	VB060M	RI3521
8M05500408	20	VB060M	RI3521
8M05500110	20	VB060M	RI4039
8M05500210	20	VB060M	RI4039
8M05500410	20	VB060M	RI4039
8M05500114	20	VB110M	RI3523
8M05500214	20	VB110M	RI3523
8M05500414	20	VB110M	RI3523
8M05500118	20	VB190M	RI3552
8M05500218	20	VB190M	RI3552
8M05500418	20	VB190M	RI3552
8M05500120	20	VB350M	RI3553
8M05500220	20	VB350M	RI3553
8M05500420	20	VB350M	RI3553
8M05500121	20	-	-
8M05500221	20	-	-
8M05500421	20	-	-
8M05500177	10	-	-
8M05500277	10	-	-
8M05500477	10	-	-
8M05500178	10	-	-
8M05500278	10	-	-
8M05500478	10	-	-