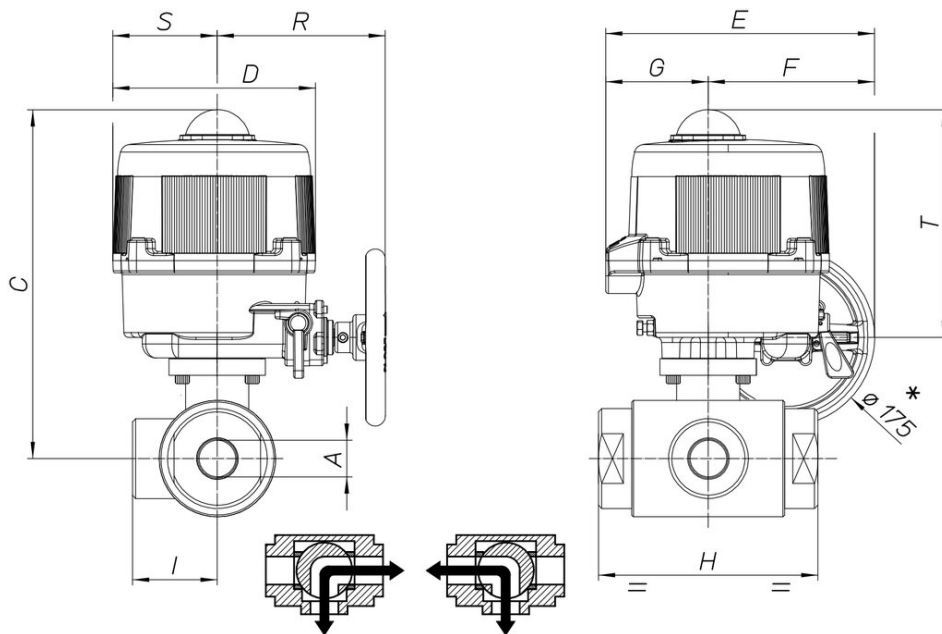


8M123

Deviator 3 way ball valve diverting, from ingot, 2 P.T.F.E. seals, AISI 316, polished, ISO 228 F/F/F threaded L port.



Technische Spezifikationen



MOD	PN	C	D	E	F	G	H	I	R	S	T	ACT.
8M12300105	40	256	161	187	63	124	92	46	-	-	-	VB030M*
8M12300205	40	256	161	187	63	124	92	46	-	-	-	VB030M*
8M12300405	40	256	161	187	63	124	92	46	-	-	-	VB030M*
8M12300106	40	260	161	187	63	124	102	51	-	-	-	VB030M*
8M12300206	40	260	161	187	63	124	102	51	-	-	-	VB030M*
8M12300406	40	260	161	187	63	124	102	51	-	-	-	VB030M*
8M12300107	25	302	176	197	63	134	134	67	-	-	-	VB060M
8M12300207	25	302	176	197	63	134	134	67	-	-	-	VB060M
8M12300407	25	302	176	197	63	134	134	67	-	-	-	VB060M
8M12300108	25	309	176	196	63	134	144	72	-	-	-	VB060M
8M12300208	25	309	176	196	63	134	144	72	-	-	-	VB060M
8M12300408	25	309	176	196	63	134	144	72	-	-	-	VB060M
8M12300110	25	312	176	197	63	134	144	72	-	-	-	VB060M*
8M12300210	25	312	176	197	63	134	144	72	-	-	-	VB060M*
8M12300410	25	312	176	197	63	134	144	72	-	-	-	VB060M*
8M12300112	25	322	176	197	63	134	160	80	-	-	-	VB060M*
8M12300212	25	322	176	197	63	134	160	80	-	-	-	VB060M*
8M12300412	25	322	176	197	63	134	160	80	-	-	-	VB060M*
8M12300114	16	362	200	266	165	101	200	100	167	103	225	VB110M
8M12300214	16	362	200	266	165	101	200	100	167	103	225	VB110M
8M12300414	16	362	200	266	165	101	200	100	167	103	225	VB110M
8M12300118	16	377	200	266	165	101	240	120	167	103	225	VB110M
8M12300218	16	377	200	266	165	101	240	120	167	103	225	VB110M
8M12300418	16	377	200	266	165	101	240	120	167	103	225	VB110M