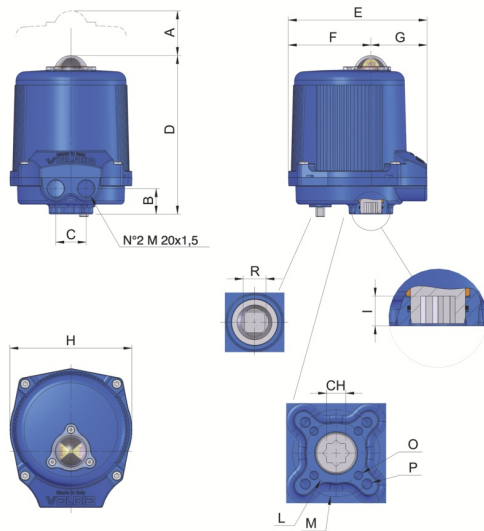


# MOD. VB015M



## Technical specifications



MOD	FORATURA DRILLING ISO 5211 FLANGE	CH	A	B	C	D	E	F	G	H	I	L	M	O	P	R
MOD. VB015M	F03-F05	11	100	29	34	177	155	92	63	137	12	36	50	M5X8	M6X10	10

# Applications



FOOD &  
BEVERAGE



HVAC



PAINTS &  
SOLVENTS



WATER  
TREATMENT



CHEMICAL



OEM



MARINE