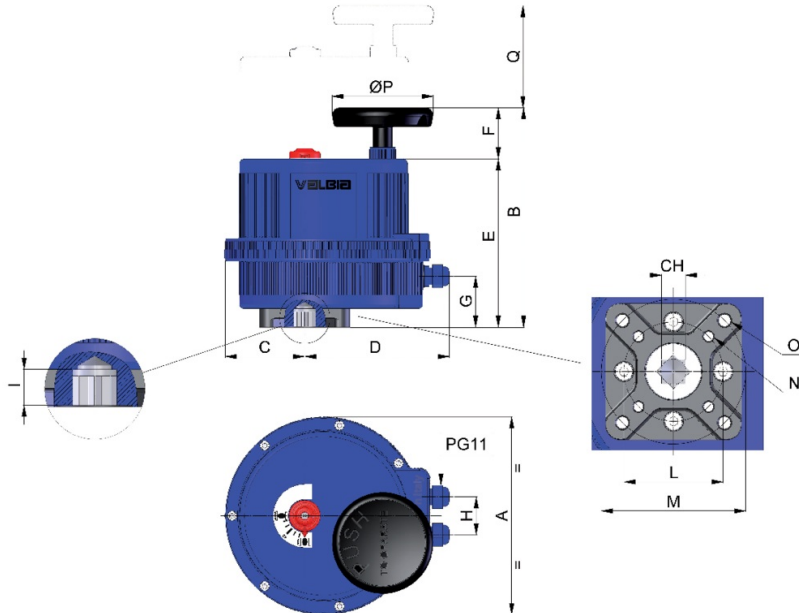


# MOD. VB060



## Technical specifications



MOD	FORATURA DRILLING ISO 5211	CH	A	B	C	D	E	F	G	H	I	L	M	N	O	ØP	Q
MOD. VB060	F05-F07	14	185	215	67,5	146,5	173	42	51	36	16	50	70	M6X15	M8X17	65	110

# Applications



FOOD &  
BEVERAGE



HVAC



PAINTS &  
SOLVENTS



WATER  
TREATMENT



CHEMICAL



OEM



POWER &  
RENEWABLE  
ENERGY