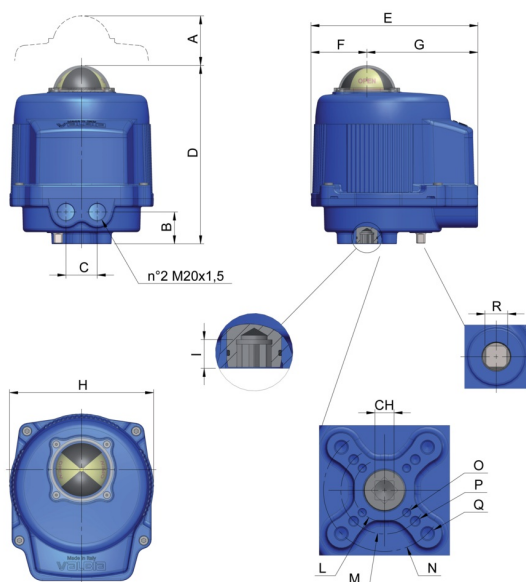


MOD. VB060M



Technical specifications



MOD	FORATURA DRILLING ISO 5211 FLANGE	CH	A	B	C	D	E	F	G	H	I	L	M	N	O	P	Q	R
MOD. VB060M	F05-F07	14	139	56	35	220	197	63	134	176	16	-	50	70	-	M6X14	M8X15	10

Applications



FOOD &
BEVERAGE



HVAC



PAINTS &
SOLVENTS



WATER
TREATMENT



CHEMICAL



OEM



MARINE