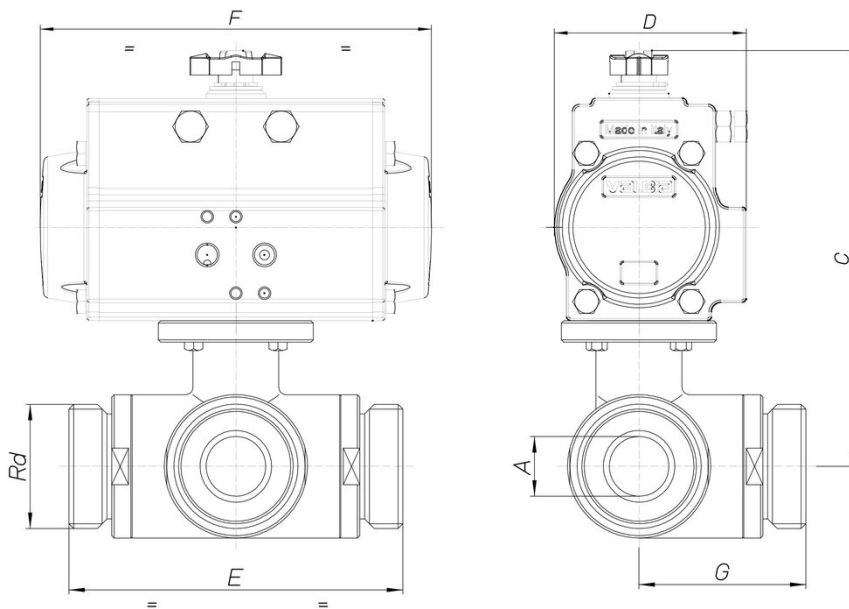


8P025200

3 ways ball valve, from ingot, 4 PTFE seals, AISI 316, polished, DIN 11851 connection F/F/F, full bore, T or L port, with actuator.



Technical specifications



MOD	PN	A	RD	C	D	E	F	G	ACT.
8P02520003	40	10	28x1/8"	210	81	108	164	54	SR 63
8P02520004	40	15	34x1/8"	212	81	118	164	59	SR 63
8P02520005	40	20	44x1/6"	202	106	130	241	65	SR 85
8P02520006	40	25	52x1/6"	206	106	140	241	70	SR 85
8P02520007	40	32	58x1/6"	227	106	156	241	78	SR 85
8P02520008	40	40	65x1/6"	247	123	172	275	86	SR 100
8P02520010	25	50	78x1/6"	250	123	182	275	91	SR 100
8P02520012	25	65	95x1/6"	294	137	196	333	98	SR 115
8P02520014	16	80	110x1/4"	321	148	256	372	128	SR 125
8P02520018	16	100	130x1/4"	358	164	286	435	143	SR 140