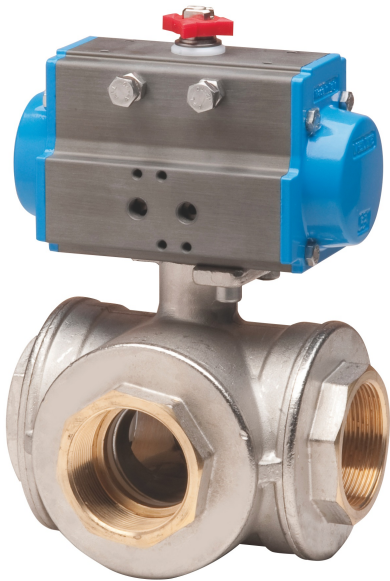
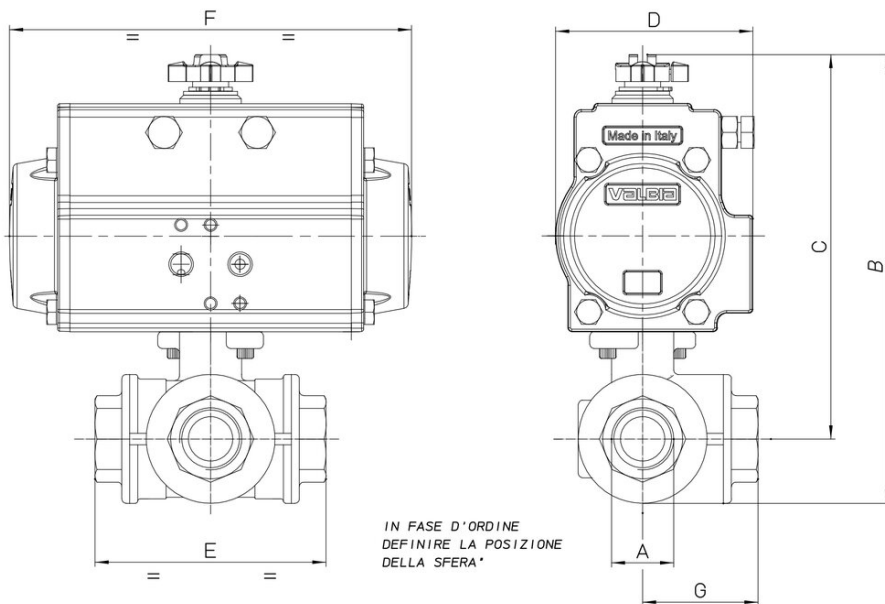


8P008300



3 way brass ball valve CW 617N [RB Artt. 3500 (T) - 3600 (L)], seals in PTFE + VITON, threaded F/F/F, FULL bore, "T" or "L" port, with actuator. Not suitable for use with solvents.

Technical specifications



IN FASE D'ORDINE
 DEFINIRE LA POSIZIONE
 DELLA SFERA*

MOD	PN	A	B	C	D	E	F	G	ACT.	RI
8P00830002	30	1/4"	113	96	45	67	110	34	DA 32	4022
8P00830003	30	3/8"	113	96	45	67	110	34	DA 32	4022
8P00830004	30	1/2"	118	98	45	77	110	39	DA 32	4022
8P00830005	30	3/4"	167	143	71	87	141	44	DA 52	4023
8P00830006	16	1"	179	149	71	105	141	53	DA 52	4023
8P00830007	10	1"1/4	197	161	71	123	141	62	DA 52	4023
8P00830008	10	1"1/2	230	187	81	139	164	70	DA 63	4024
8P00830010	10	2"	272	216	95	166	210	83	DA 75	4026