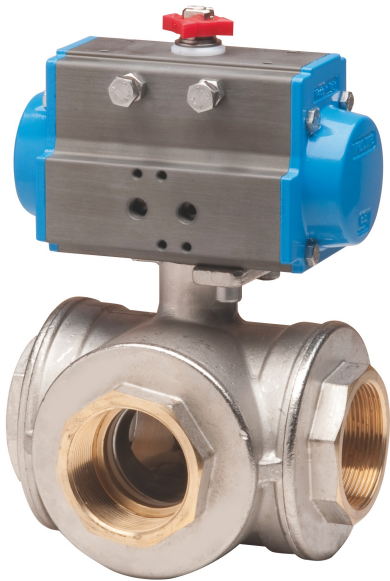
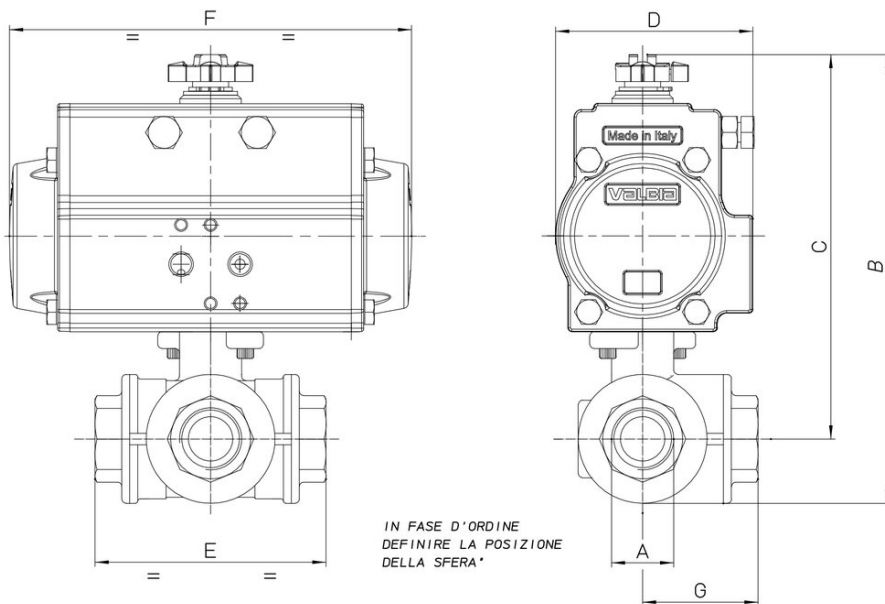


## 8P008500



3 way brass ball valve CW 617N [RB Artt. 3500 (T) - 3600 (L)], seals in PTFE + VITON, threaded F/F/F, FULL bore, "T" or "L" port, with actuator. Not suitable for use with solvents.

### Technical specifications



IN FASE D'ORDINE  
 DEFINIRE LA POSIZIONE  
 DELLA SFERA\*

<b>MOD</b>	<b>PN</b>	<b>A</b>	<b>B</b>	<b>C</b>	<b>D</b>	<b>E</b>	<b>F</b>	<b>G</b>	<b>ACT.</b>	<b>RI</b>
8P00850002	30	1/4"	149	132	71	67	141	34	SR 52	3798
8P00850003	30	3/8"	149	132	71	67	141	34	SR 52	3798
8P00850004	30	1/2"	154	134	71	77	141	39	SR 52	3798
8P00850005	30	3/4"	179	155	81	87	164	44	SR 63	4025
8P00850006	16	1"	190	160	81	105	164	53	SR 63	4025
8P00850007	10	1"1/4	209	173	81	123	164	62	SR 63	4025
8P00850008	10	1"1/2	262	219	106	139	241	70	SR 85	4026
8P00850010	10	2"	299	243	123	166	275	83	SR 100	4026