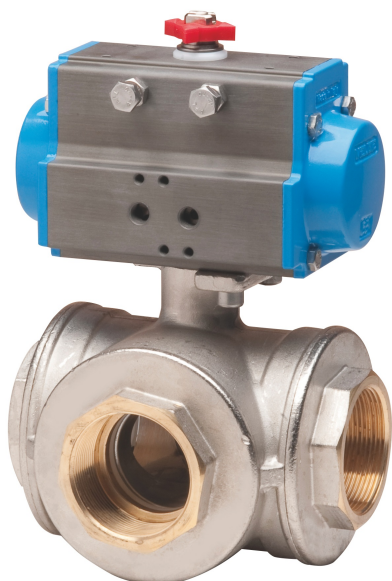
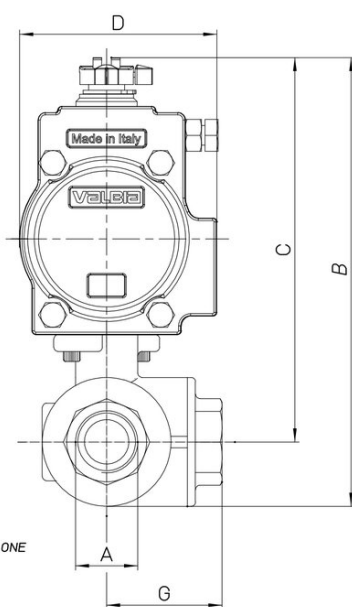
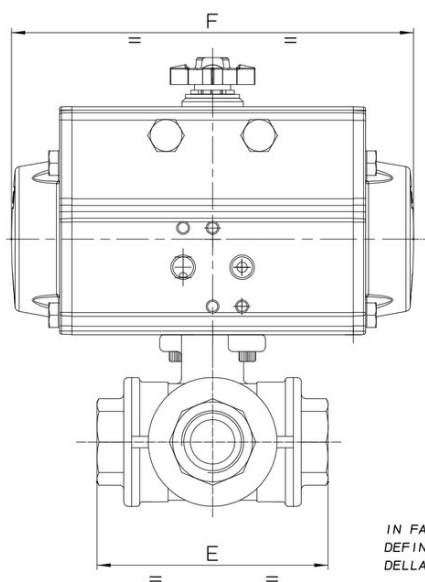


8P008600



3 way brass ball valve CW 617N [RB Artt. 3500 (T) - 3600 (L)], seals in PTFE + VITON, threaded F/F/F, FULL bore, "T" or "L" port, with actuator. Not suitable for use with solvents.

Technical specifications



IN FASE D'ORDINE
DEFINIRE LA POSIZIONE
DELLA SFERA*

| MOD | PN | A | B | C | D | E | F | G | ACT. | RI |
|------------|-----------|----------|----------|----------|----------|----------|----------|----------|-------------|-----------|
| 8P00860002 | 30 | 1/4" | 149 | 132 | 71 | 67 | 141 | 34 | SR 52 | 3798 |
| 8P00860003 | 30 | 3/8" | 149 | 132 | 71 | 67 | 141 | 34 | SR 52 | 3798 |
| 8P00860004 | 30 | 1/2" | 154 | 134 | 71 | 77 | 141 | 39 | SR 52 | 3798 |
| 8P00860005 | 30 | 3/4" | 179 | 155 | 81 | 87 | 164 | 44 | SR 63 | 4025 |
| 8P00860006 | 16 | 1" | 190 | 160 | 81 | 105 | 164 | 53 | SR 63 | 4025 |
| 8P00860007 | 10 | 1"1/4 | 209 | 173 | 81 | 123 | 164 | 62 | SR 63 | 4025 |
| 8P00860008 | 10 | 1"1/2 | 262 | 219 | 106 | 139 | 241 | 70 | SR 85 | 4026 |
| 8P00860010 | 10 | 2" | 299 | 243 | 123 | 166 | 275 | 83 | SR 100 | 4026 |