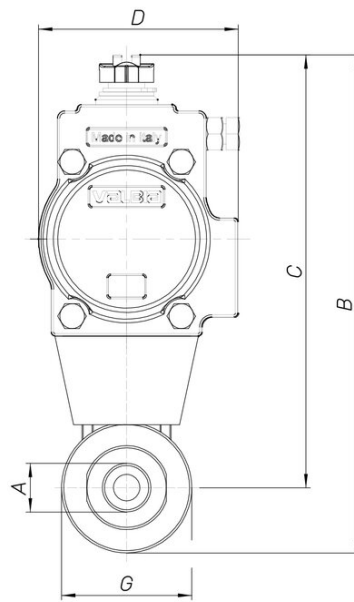
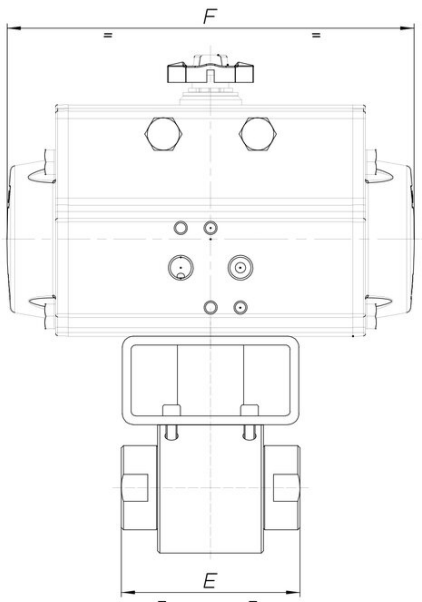


## 8P022700

2 way ball valve, AISI 316L, F/F threaded, Fire Safe BS6755, Antistatic Device, high pressure, for hydraulic oil, emulsion, gas. For particular applications refer to sales department.

### Technical specifications



<b>MOD</b>	<b>PN</b>	<b>A</b>	<b>B</b>	<b>C</b>	<b>D</b>	<b>E</b>	<b>F</b>	<b>G</b>	<b>ACT.</b>	<b>RI</b>
8P02270003	500	3/8"	195	168	71	72	141	54	DA 52	4220
8P02270004	500	1/2"	217	182	81	81	164	59	DA 63	4221
8P02270005	400	3/4"	244	207	95	98	210	74	DA 75	4222
8P02270006	350	1"	253	211	95	106	210	83	DA 75	4222
8P02270007	350	1"1/4	314	264	123	127	275	99	DA 100	4482
8P02270008	350	1"1/2	328	271	123	135	275	114	DA 100	4223
8P02270010	350	2"	391	329	137	160	333	123	DA 115	4224