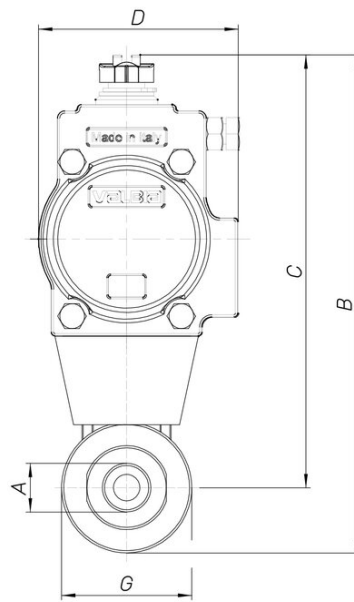
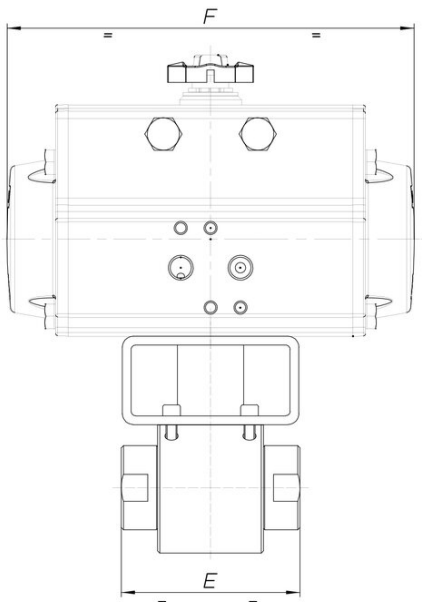


## 8P022800



2 way ball valve, AISI 316L, F/F threaded, Fire Safe BS6755, Antistatic Device, high pressure, for hydraulic oil, emulsion, gas. For particular applications refer to sales department.

### Technical specifications



<b>MOD</b>	<b>PN</b>	<b>A</b>	<b>B</b>	<b>C</b>	<b>D</b>	<b>E</b>	<b>F</b>	<b>G</b>	<b>ACT.</b>	<b>RI</b>
8P02280003	500	3/8"	224	197	95	72	210	54	SR 75	4225
8P02280004	500	1/2"	230	200	95	81	210	59	SR 75	4225
8P02280005	400	3/4"	271	234	123	98	275	74	SR 100	4222
8P02280006	350	1"	280	238	123	106	275	83	SR 100	4222
8P02280007	350	1"1/4	349	299	137	127	333	99	SR 115	4226
8P02280008	350	1"1/2	362	305	137	135	333	114	SR 115	4227
8P02280010	350	2"	426	364	164	160	435	123	SR 140	4228