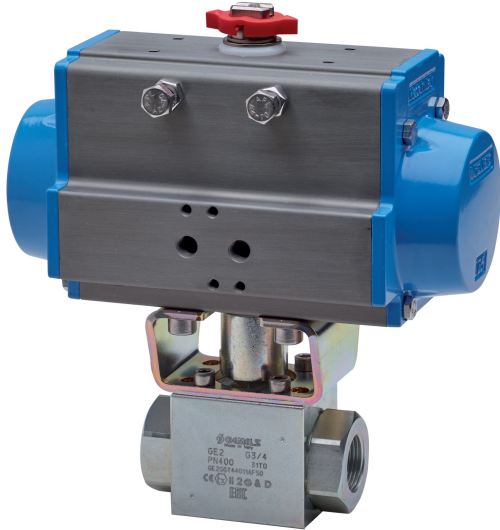
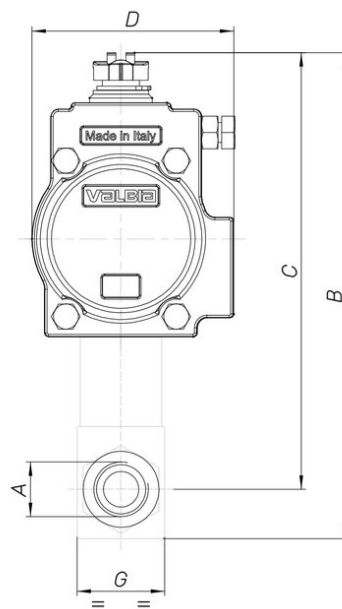
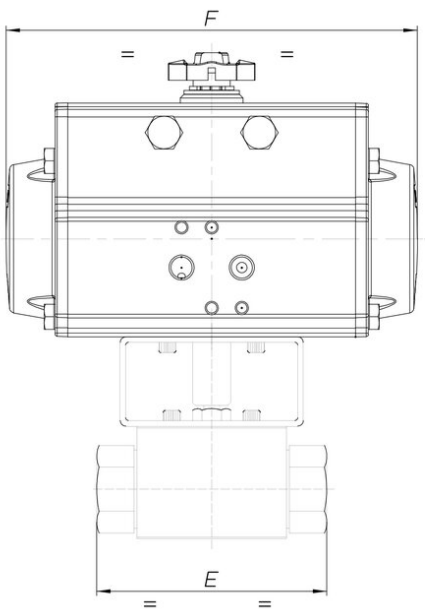


## 8P013700

2 ways ball valve, 9SMnPb36, F/F threaded, for high pressure, with actuator; for Hydraulic oil, emulsion, gas. For particular applications, refer to Valbia.



### Technical specifications



<b>MOD</b>	<b>PN</b>	<b>A</b>	<b>B</b>	<b>C</b>	<b>D</b>	<b>E</b>	<b>F</b>	<b>G</b>	<b>ACT.</b>	<b>RI</b>
8P01370003	500	3/8"	182	164	71	73	141	35	DA 52	3740
8P01370004	500	1/2"	196	178	81	83	164	37	DA 63	3741
8P01370005	400	3/4"	226	203	95	95	210	45	DA 75	3742
8P01370006	350	1"	237	207	95	112	210	55	DA 75	3742
8P01370007	350	1"1/4	314	264	123	115	275	99	DA 100	4482
8P01370008	350	1"1/2	328	271	123	131	275	114	DA 100	4223
8P01370010	350	2"	391	329	137	140	333	123	DA 115	4224