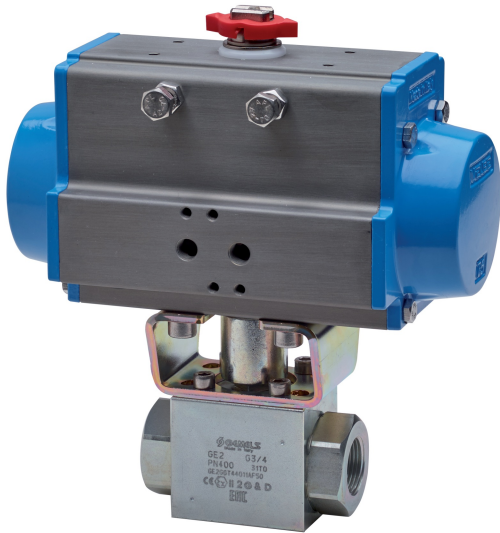
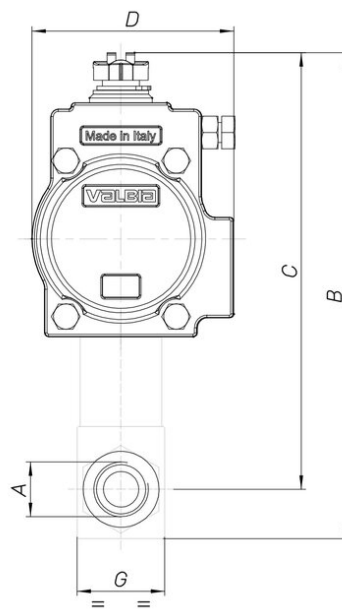
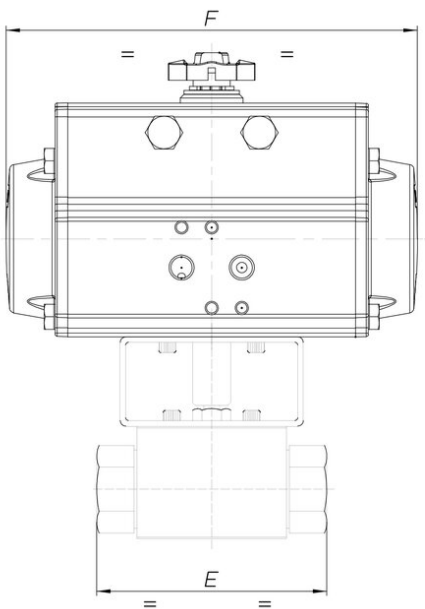


8P013800

2 ways ball valve, 9SMnPb36, F/F threaded, for high pressure, with actuator; for Hydraulic oil, emulsion, gas. For particular applications, refer to Valbia.



Technical specifications



MOD	PN	A	B	C	D	E	F	G	ACT.	RI
8P01380003	500	3/8"	212	194	95	73	210	35	SR 75	3745
8P01380004	500	1/2"	214	196	95	83	210	37	SR 75	3745
8P01380005	400	3/4"	254	230	123	95	275	45	SR 100	3742
8P01380006	350	1"	264	234	123	112	275	55	SR 100	3742
8P01380007	350	1"1/4	349	299	137	127	333	99	SR 115	4226
8P01380008	350	1"1/2	362	305	137	135	333	114	SR 115	4227
8P01380010	350	2"	426	364	164	160	435	123	SR 140	4228