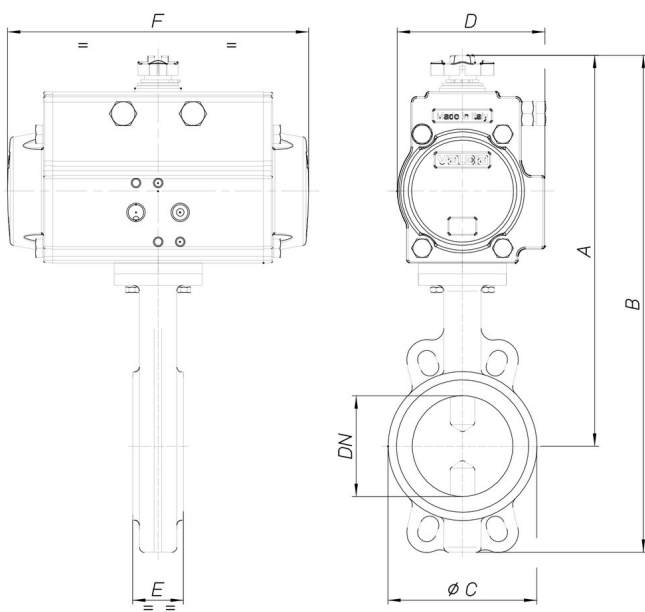




8P019700

Butterfly valve Wafer type PN16, (from DN32 to DN300) PN10 (from DN350 to DN600) body in cast iron GG25+ epoxy painting, disc AISI 316, EPDM [Valpres art. 600105] or NBR [Valpres art. 600119] seat from DN32 to DN300, EPDM seat art. 905257 from DN350 to DN600.

Technical specifications



MOD	PN	A	B	Ø C	D	E	F	ACT.	RI
8P01970007	16	224	282	85	71	33	141	DA 52	3155
8P01970008	16	224	294	95	71	33	141	DA 52	3836
8P01970010	16	255	326	100	71	43	141	DA 52	3836
8P01970012	16	267	345	120	71	46	141	DA 52	3836
8P01970014	16	281	370	127	81	46	164	DA 63	3838
8P01970018	16	315	417	161	95	52	210	DA 75	3839
8P01970019	16	341	464	190	106	56	241	DA 85	3840
8P01970020	16	355	493	215	106	56	241	DA 85	3841
8P01970021	16	434	602	268	137	60	333	DA 115	3965
8P01970077	16	482	689	325	148	68	372	DA 125	3865
8P01970078	16	541	784	375	164	78	435	DA 140	3868