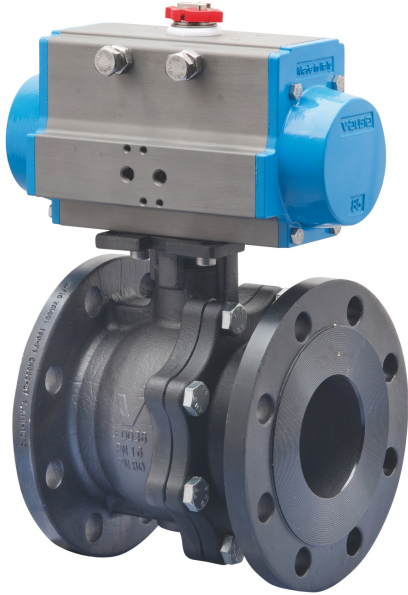
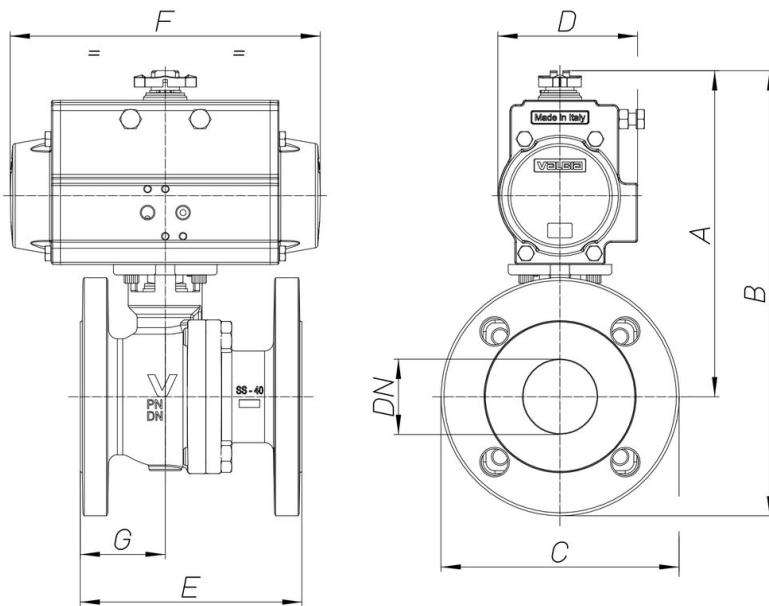


8P050800



Flanged ANSI 150 carbon steel WCB ball valve, full bore Split Body type [Valpres art. 766001] ISO 5211 pad direct, Fire Safe, Antistatic Device, ANSi B16.10 face to face dimension.

Technical specifications



MOD	PN	A	B	C	D	E	F	G	ACT.	KIT
8P05080006	20	160	215	110	71	127	141	54	DA52	RI4579
8P05080008	20	193	258	130	81	165	164	76	DA63	RI4581
8P05080010	20	221	296	150	95	178	210	85	DA75	RI4582
8P05080014	20	265	360	190	106	203	241	93	DA85	RI4584
8P05080018	20	292	407	230	123	229	275	100	DA100	RI4586

