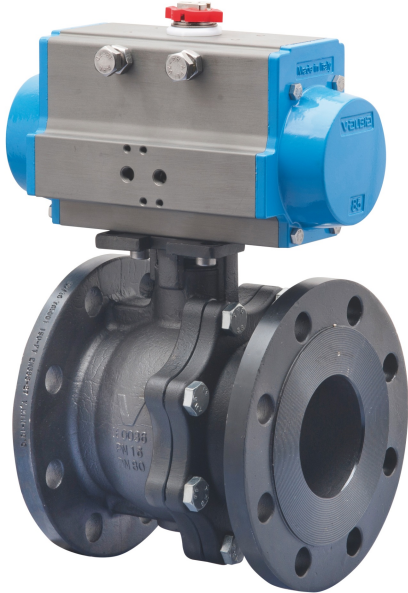
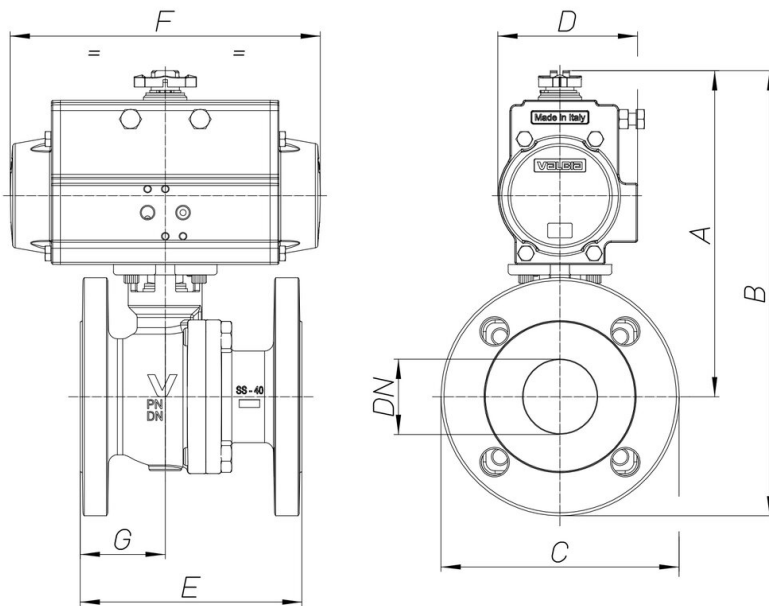


8P050900



Flanged ANSI 150 carbon steel WCB ball valve, full bore Split Body type [Valpres art. 766001] ISO 5211 pad direct, Fire Safe, Antistatic Device, ANSi B16.10 face to face dimension.

Technical specifications



MOD	PN	A	B	C	D	E	F	G	ACT.	KIT
8P05090006	20	171	226	110	81	127	164	54	SR63	RI4580
8P05090008	20	211	276	130	95	165	210	76	SR75	RI4582
8P05090010	20	235	310	150	106	178	241	85	SR85	RI4583
8P05090014	20	31	407	190	137	203	333	93	SR115	RI4585
8P05090018	20	339	454	230	148	229	372	100	SR125	RI4587

