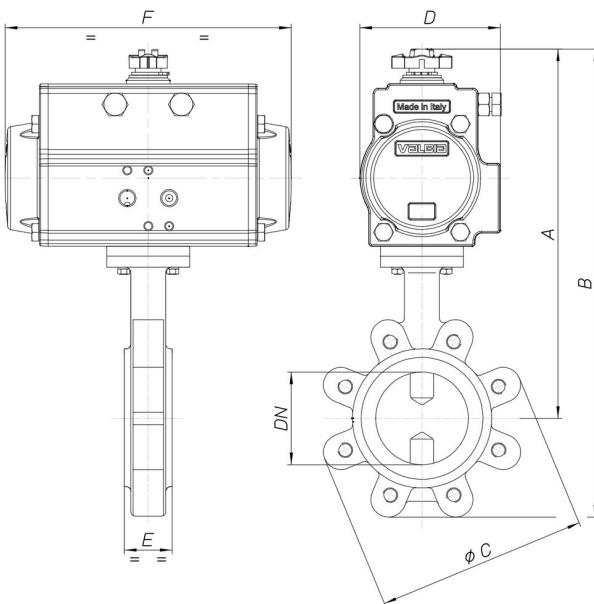


8P010500



Butterfly valve Lug type PN16 (from DN50 to DN300), PN10 (from DN350 to DN600), body in cast iron GGG40 +epoxy painting, disc GGG40 nickered, EPDM [Valpres art. 600204] or NBR [Valpres art. 600231] from DN50 to DN300 EPDM seat art. 905277 from DN350 to DN600.

Technical specifications



MOD	PN	A	B	ØC	D	E	F	ACT.	RI
8P01050010	16	255	326	165	71	43	141	DA 52	3836
8P01050012	16	267	345	185	71	46	141	DA 52	3836
8P01050014	16	281	370	200	81	46	164	DA 63	3838
8P01050018	16	315	417	220	95	52	210	DA 75	3839
8P01050019	16	341	464	250	106	56	241	DA 85	3840
8P01050020	16	355	493	285	106	56	241	DA 85	3841
8P01050021	16	434	602	340	137	60	333	DA 115	3965
8P01050077	16	482	689	405	148	68	372	DA 125	3865
8P01050078	16	541	784	460	164	78	435	DA 140	3868