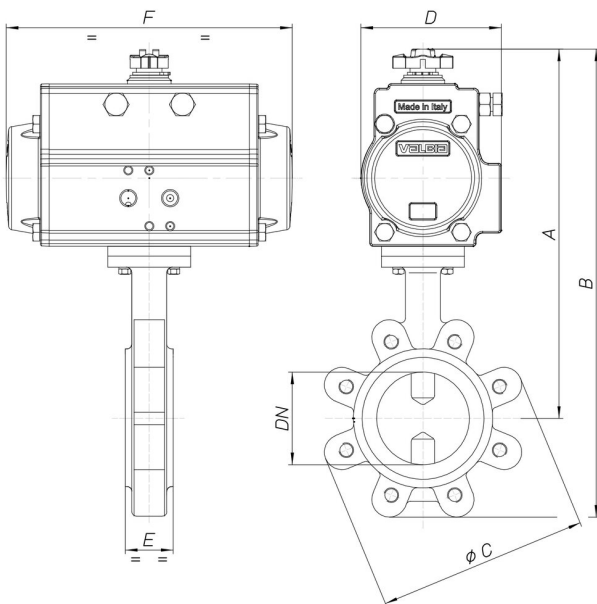


8P010600



Butterfly valve Lug type PN16 (from DN50 to DN300), PN10 (from DN350 to DN600), body in cast iron GGG40 +epoxy painting, disc GGG40 nickered, EPDM [Valpres art. 600204] or NBR [Valpres art. 600231] from DN50 to DN300 EPDM seat art. 905277 from DN350 to DN600.

Technical specifications



MOD	PN	A	B	ØC	D	E	F	ACT.	RI
8P01060010	16	266	338	165	81	43	164	SR 63	3843
8P01060012	16	279	357	185	81	46	164	SR 63	3843
8P01060014	16	312	401	200	106	46	241	SR 85	3844
8P01060018	16	328	430	220	106	52	241	SR 85	3840
8P01060019	16	354	477	250	123	56	275	SR 100	3846
8P01060020	16	398	536	285	137	56	333	SR 115	4450
8P01060021	16	493	661	340	186	60	500	SR 160	3848
8P01060077	16	524	731	405	186	68	500	SR 160	3867
8P01060078	16	697	940	406	217	78	579	SR 200	3309