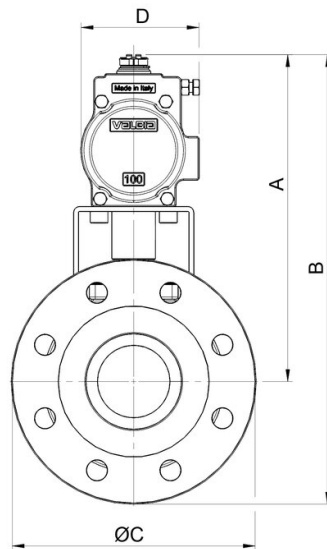
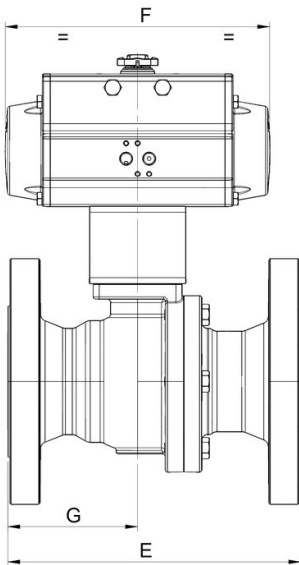


8P079900



Butterfly valve "lug" type PN 16, GGG40 cast iron + epoxy painting, GGG40 nickel coated disc, Viton seat max operating temperature 150° C, with Viton seats actuator.

Technical specifications



MOD	PN	A	B	ØC	D	E	F	ACT.	RI
8P07990010	16	255	326	165	71	43	141	DA 52	3836
8P07990012	16	267	345	185	71	46	141	DA 52	3836
8P07990014	16	281	370	200	81	46	164	DA 63	3838
8P07990018	16	315	417	220	95	52	210	DA 75	3839
8P07990019	16	327	450	250	95	56	210	DA 75	3840
8P07990020	16	355	493	285	106	56	241	DA 85	3841
8P07990021	16	410	578	340	123	60	275	DA 100	3842
8P07990077	16	471	678	405	137	68	333	DA 115	3865
8P07990078	16	593	837	460	148	78	372	DA 125	3866