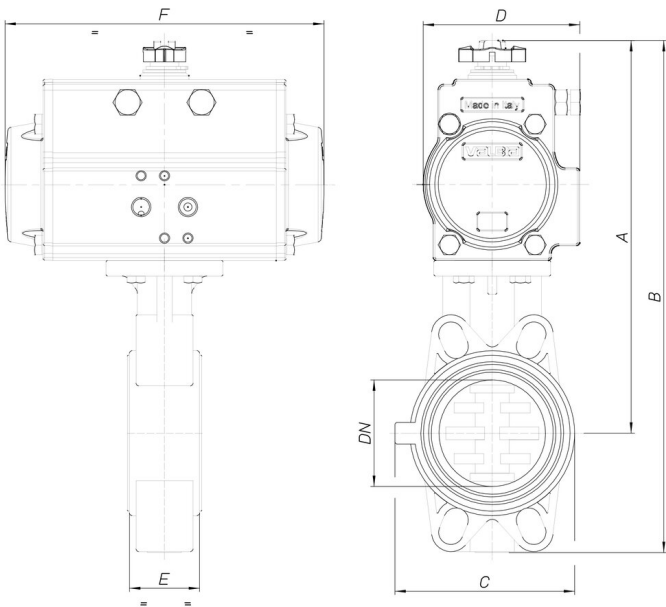


## 8P016600

PVC butterfly valve with actuator.



### Technical specifications



<b>MOD</b>	<b>PN</b>	<b>A</b>	<b>B</b>	<b>C</b>	<b>D</b>	<b>E</b>	<b>F</b>	<b>ACT.</b>
8P01660008	16	237	297	132	95	33	210	SR 75
8P01660010	16	243	313	147	95	43	210	SR 75
8P01660012	10	265	345	165	106	46	241	SR 85
8P01660014	10	279	369	130	106	49	241	SR 85
8P01660018	10	340	445	150	137	56	333	SR 115
8P01660019	10	360	481	185	137	64	333	SR 115
8P01660020	10	385	517	210	148	70	372	SR 125
8P01660021	10	454	615	325	164	71	435	SR 140