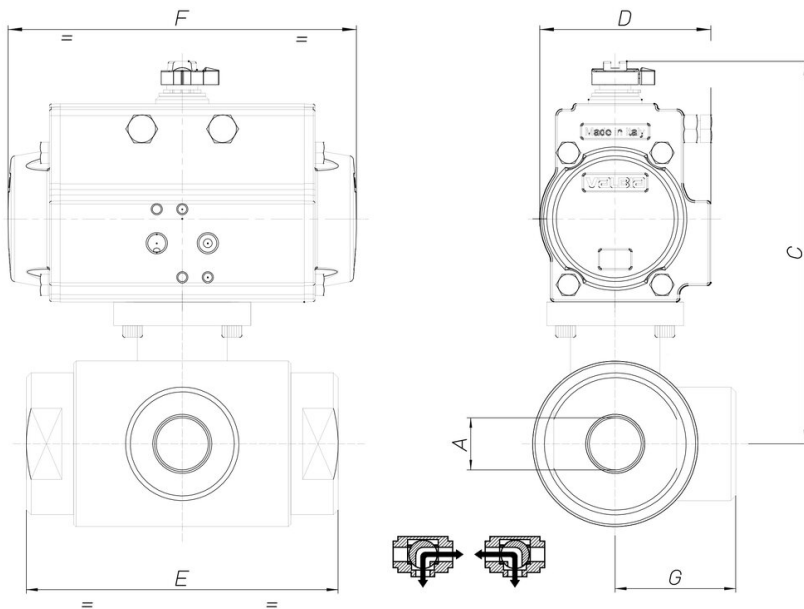




8P022100

Deviator 3 ways ball valve, from ingot, 2 PTFE seals, AISI 316, polished, ISO 228 F/F/F threaded, L port, with actuator.

Technical specifications



MOD	PN	A	C	D	E	F	G	ACT.
8P02210002	40	1/4"	148	71	72	141	36	DA 52
8P02210003	40	3/8"	148	71	72	141	36	DA 52
8P02210004	40	1/2"	151	71	82	141	41	DA 52
8P02210005	40	3/4"	170	81	92	164	46	DA 63
8P02210006	40	1"	174	81	102	164	51	DA 63
8P02210007	25	1"1/4	195	81	118	164	59	DA 63
8P02210008	25	1"1/2	202	81	134	164	67	DA 63
8P02210010	25	2"	223	95	144	210	72	DA 75
8P02210012	25	2" 1/2	233	95	160	210	80	DA 75
8P02210014	16	3"	261	106	200	241	100	DA 85
8P02210018	16	4"	276	106	240	241	120	DA 85