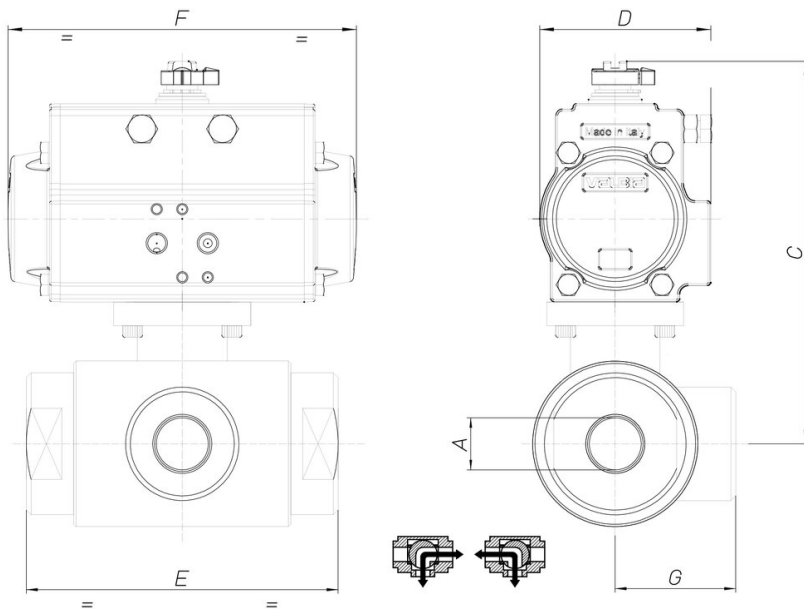


8P022200

Deviator 3 ways ball valve, from ingot, 2 PTFE seals, AISI 316, polished, ISO 228 F/F/F threaded, L port, with actuator.



Technical specifications



MOD	PN	A	C	D	E	F	G	ACT.
8P02220002	40	1/4"	148	71	72	141	36	SR 52
8P02220003	40	3/8"	148	71	72	141	36	SR 52
8P02220004	40	1/2"	151	71	82	141	41	SR 52
8P02220005	40	3/4"	170	81	92	164	46	SR 63
8P02220006	40	1"	206	106	102	241	51	SR 85
8P02220007	25	1"1/4	227	106	118	241	59	SR 85
8P02220008	25	1"1/2	234	106	134	241	67	SR 85
8P02220010	25	2"	250	123	144	275	72	SR 100
8P02220012	25	2" 1/2	294	137	160	333	80	SR 115
8P02220014	16	3"	321	148	200	372	100	SR 125
8P02220018	16	4"	336	148	240	372	120	SR 125