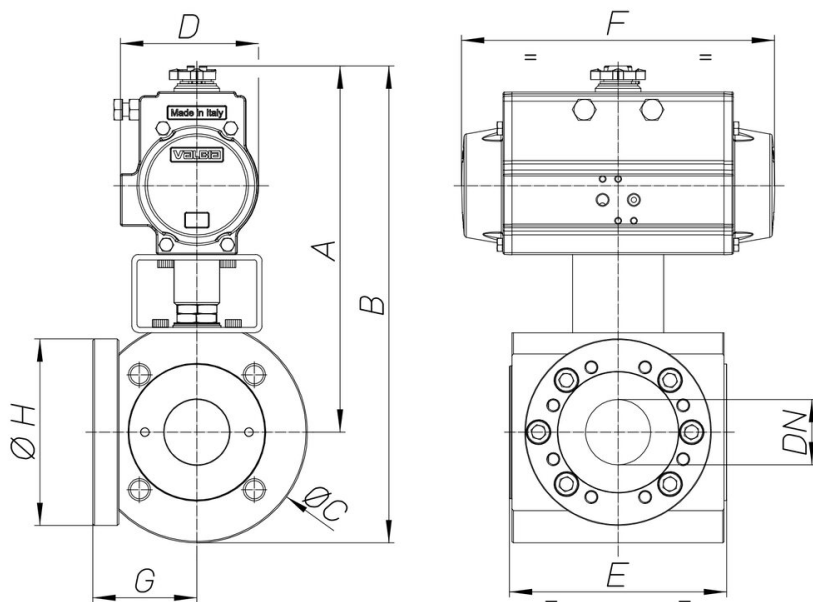


8P028800



3 way ball valve [Valpres artt. 776600 (T) - 776601 (L)],
 T or L port with 4 seats, PN16 flanged, carbon steel
 ASTM A105, full bore, Antistatic Device.

Technical specifications



| MOD | PN | A | B | ØC | D | E | F | G | ØH | ACT. | RI |
|------------|-----------|----------|----------|-----------|----------|----------|----------|----------|-----------|-------------|-----------|
| 8P02880004 | 16 | 198 | 242 | 88 | 81 | 99 | 164 | 35 | / | SR 63 | 4409 |
| 8P02880005 | 16 | 249 | 299 | 100 | 106 | 108 | 241 | 40 | / | SR 85 | 4413 |
| 8P02880006 | 16 | 254 | 309 | 109 | 106 | 115 | 241 | 41,5 | / | SR 85 | 4131 |
| 8P02880007 | 16 | 280 | 345 | 133 | 123 | 140 | 275 | 52,5 | / | SR 100 | 4410 |
| 8P02880008 | 16 | 287 | 362 | 150 | 123 | 150 | 275 | 56,5 | / | SR 100 | 4414 |
| 8P02880010 | 16 | 330 | 415 | 168 | 137 | 167 | 333 | 62 | / | SR 115 | 3550 |
| 8P02880012 | 16 | 353 | 458 | 208 | 148 | 185 | 372 | 85 | / | SR 125 | 4415 |
| 8P02880014 | 16 | 414 | 529 | 229 | 164 | 216 | 435 | 127 | 212 | SR 140 | 4406 |
| 8P02880018 | 16 | 437 | 576 | 278 | 164 | 244 | 435 | 150 | 239 | SR 140 | 4406 |