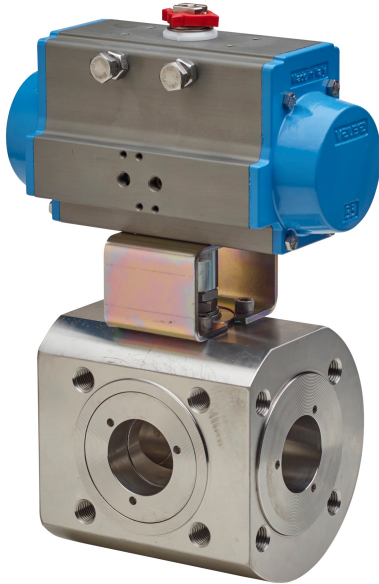
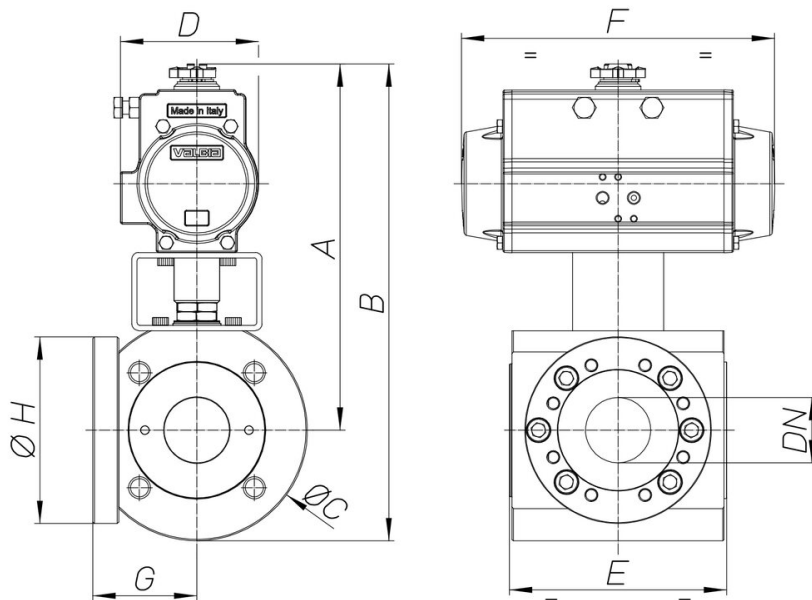


## 8P028400



3 way ball valve [Valpres art. 776400 (T) - 776401 (L)],  
 "T" or "L" port with 4 seats, PN16 flanged, stainless steel  
 AISI 316, full bore, Antistatic Device.

### Technical specifications



<b>MOD</b>	<b>PN</b>	<b>A</b>	<b>B</b>	<b>ØC</b>	<b>D</b>	<b>E</b>	<b>F</b>	<b>G</b>	<b>ØH</b>	<b>ACT.</b>	<b>RI</b>
8P02840004	16	198	244	88	81	99	164	35	/	SR 63	4409
8P02840005	16	249	299	100	106	108	241	40	/	SR 85	4131
8P02840006	16	254	309	109	106	115	241	41,5	/	SR 85	4131
8P02840007	16	280	345	133	123	140	275	52,5	/	SR 100	4410
8P02840008	16	287	362	150	123	150	275	56,5	/	SR 100	4414
8P02840010	16	330	415	168	137	167	333	62	/	SR 115	3550
8P02840012	16	353	458	208	148	185	372	85	/	SR 125	4415
8P02840014	16	414	529	229	164	216	435	127	212	SR 140	4406
8P02840018	16	437	576	278	164	244	435	150	239	SR 140	4406