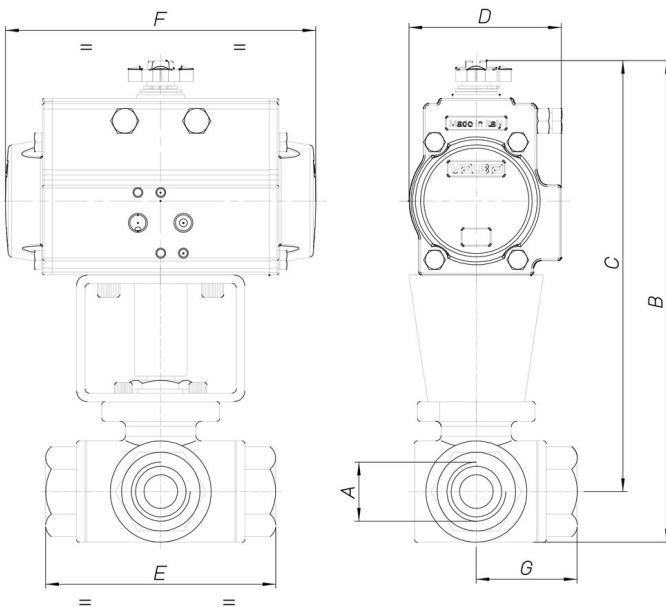


8P006200

3 way ball valve [Valpres artt. 772000 (T) - 775000 (L)]
 investment casted, stainless steel AISI 316-CF8M,
 threaded F/F/F with 4 seats, reduced bore, T or L port.



Technical specifications



MOD	PN	A	B	C	D	E	F	G	ACT.	RI
8P00620002	63	1/4"	207	190	81	70	164	35	SR 63	3769
8P00620003	63	3/8"	207	190	81	70	164	35	SR 63	3769
8P00620004	63	1/2"	210	194	81	76	164	38	SR 63	3769
8P00620005	63	3/4"	249	228	95	87	210	45	SR 75	3773
8P00620006	63	1"	271	246	106	103	241	52	SR 85	3771
8P00620007	63	1"1/4	280	252	106	118	241	58	SR 85	3772
8P00620008	63	1"1/2	341	307	137	126	333	63	SR 115	4310
8P00620010	63	2"	356	316	137	149	333	75	SR 115	4311