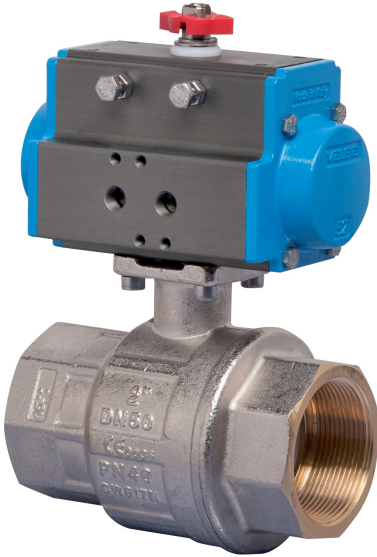
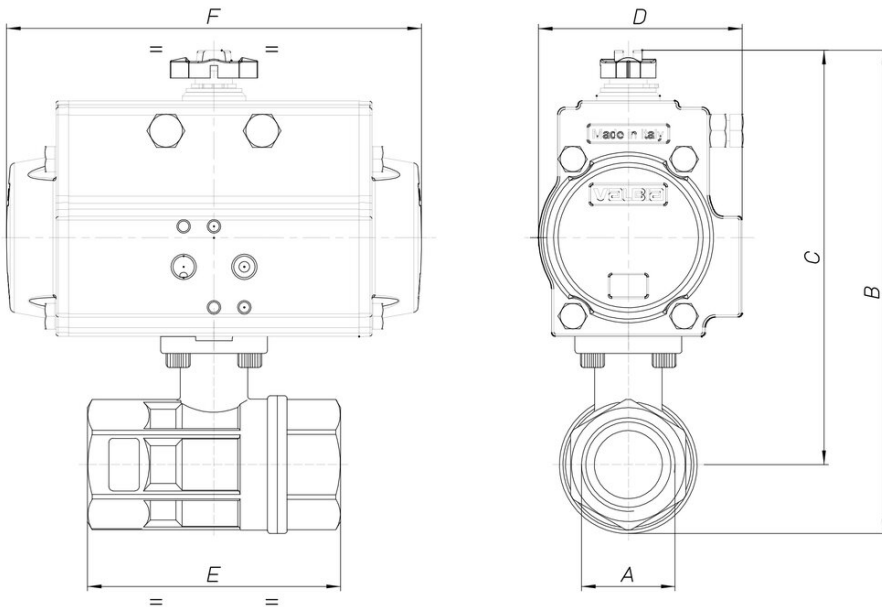


8P008100

2 way, brass ball valve, full bore according to DIN 13547
[RB art. 2500] threaded F/F, not suitable for use with
solvents.



Technical specifications



MOD	PN	A	B	C	D	E	F	ACT.	RI
8P00810002	40	1/4"	151	134	71	67	141	SR 52	4017
8P00810003	40	3/8"	151	134	71	67	141	SR 52	4017
8P00810004	40	1/2"	151	134	71	67	141	SR 52	4017
8P00810005	40	3/4"	156	136	71	76	141	SR 52	4017
8P00810006	40	1"	172	147	71	90	141	SR 52	4017
8P00810007	40	1" 1/4	180	151	71	102	141	SR 52	4017
8P00810008	40	1" 1/2	214	177	81	114	164	SR 63	4018
8P00810010	40	2"	232	186	81	138	164	SR 63	4018
8P00810012	25	2" 1/2	291	234	106	165	241	SR 85	4020
8P00810014	16	3"	311	243	106	188	241	SR 85	4020
8P00810018	16	4"	358	275	123	225	275	SR 100	4029