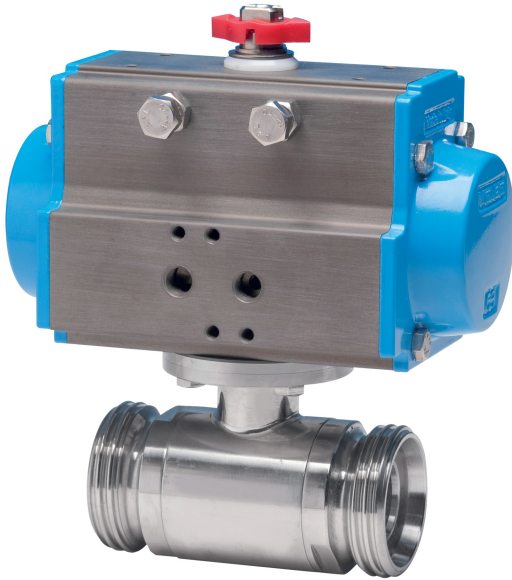
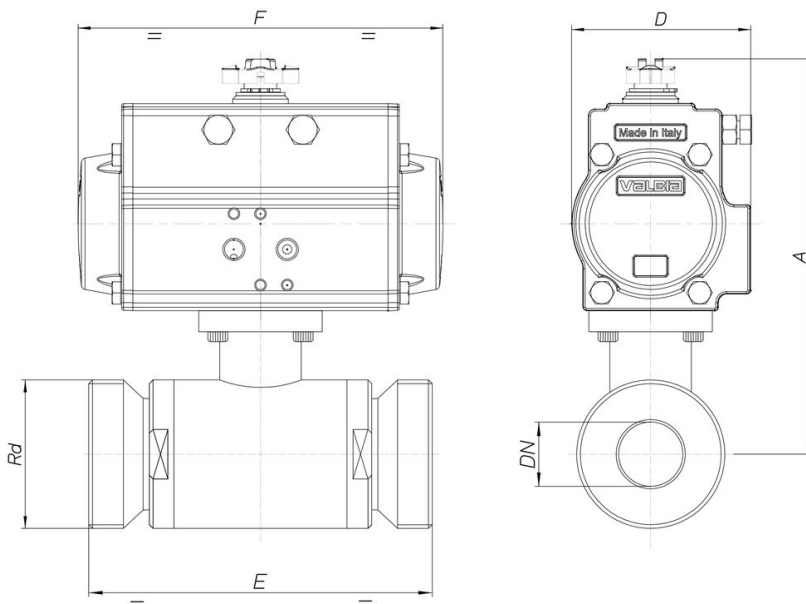


## 8P022300

2 ways ball valve, from ingot, P.T.F.E seals, AISI 316, DIN flanges 11851 F/F, polished, with actuator.



### Technical specifications



<b>MOD</b>	<b>PN</b>	<b>A</b>	<b>D</b>	<b>E</b>	<b>F</b>	<b>RD</b>	<b>ACT.</b>
8P02230003	64	141	71	88	141	28x1/8"	DA 52
8P02230004	64	143	71	92	141	34x1/8"	DA 52
8P02230005	64	147	71	102	141	44x1/6"	DA 52
8P02230006	40	165	81	106	164	52x1/6"	DA 63
8P02230007	40	170	81	112	164	58x1/6"	DA 63
8P02230008	40	189	81	126	164	65x1/6"	DA 63
8P02230010	25	197	81	136	164	78x1/6"	DA 63
8P02230012	25	240	106	154	241	95x1/6"	DA 85
8P02230014	25	251	106	184	241	110x1/4"	DA 85
8P02230018	25	265	106	190	241	130x1/4"	DA 85