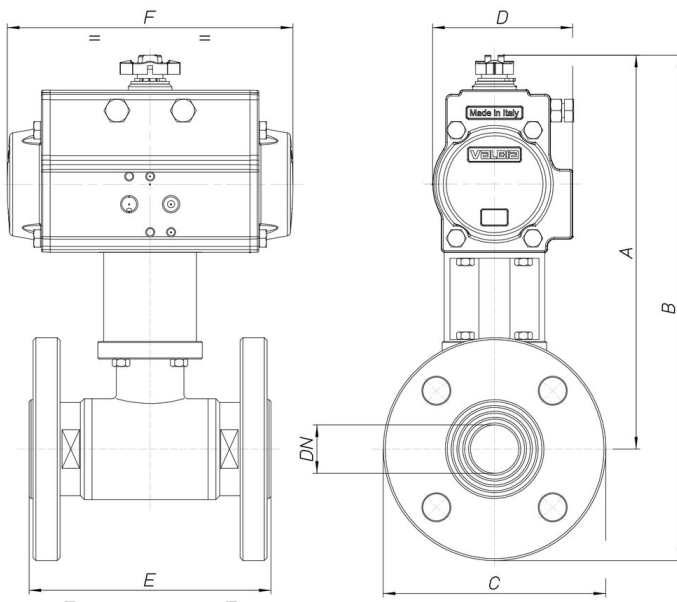


8P005100

2 way flanged ball valve from ingot, polished, stainless steel AISI 316, FULL bore, with actuator.

Technical specifications



MOD	PN	A	B	C	D	E	F	ACT.
8P00510003	40	181	226	90	71	110	141	DA 52
8P00510004	40	183	231	95	71	115	141	DA 52
8P00510005	40	187	240	105	71	120	141	DA 52
8P00510006	40	203	261	115	71	125	141	DA 52
8P00510007	40	220	290	140	81	130	164	DA 63
8P00510008	25	189	264	150	81	140	164	DA 63
8P00510010	25	197	280	165	81	150	164	DA 63
8P00510012	16	239	332	185	106	170	241	DA 85
8P00510014	16	251	351	200	106	180	241	DA 85
8P00510018	16	265	375	220	106	190	241	DA 85