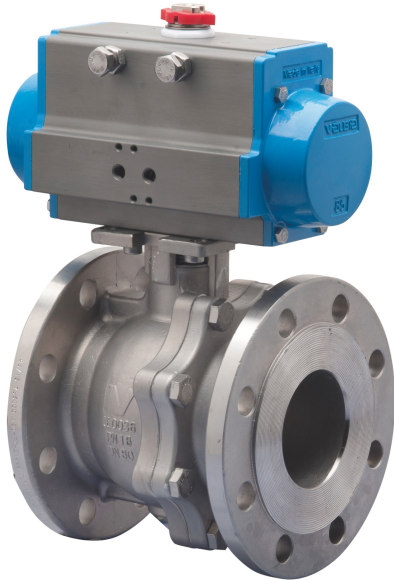
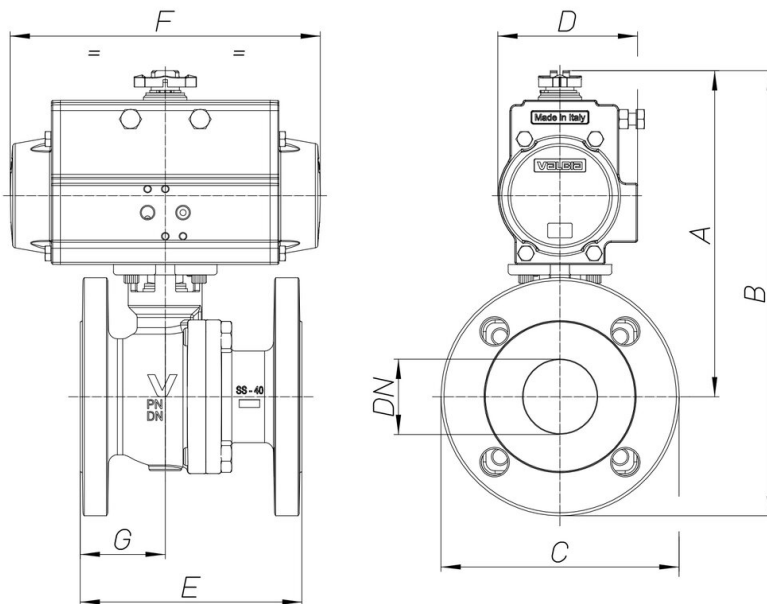


8P050200



Flanged PN16 stainless steel AISI 316 CF8M ball valve, full bore Split Body type [Valpres art. 765000] ISO 5211 pad direct, Fire Safe, Antistatic Device, EN558 basic series 27 face to face dimension.

Technical specifications



MOD	PN	A	B	C	D	E	F	G	ACT.	KIT
8P05020006	40	160	217	115	71	125	141	53	DA52	RI4579
8P05020007	40	173	243	140	71	130	141	55	DA52	RI4579
8P05020008	40	193	268	150	81	140	164	52	DA63	RI4581
8P05020010	40	221	303	165	95	150	210	58	DA75	RI4582
8P05020012	16	256	349	185	106	170	241	63	DA85	RI4584
8P05020014	16	265	365	200	106	180	241	76	DA85	RI4584
8P05020018	16	296	402	220	123	190	275	80	DA100	RI4586